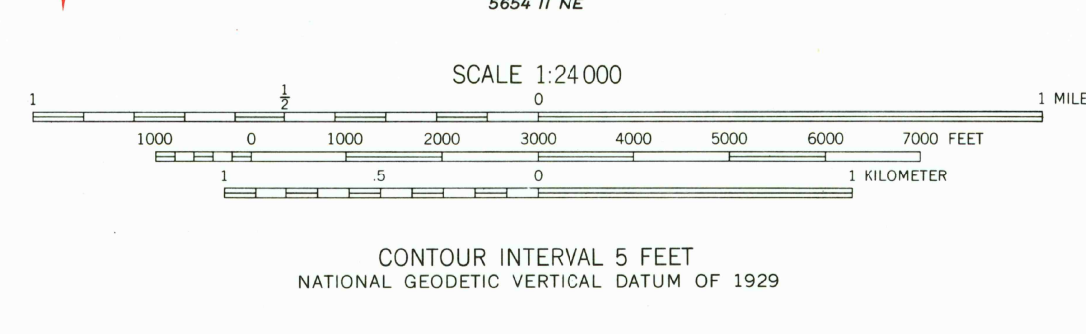
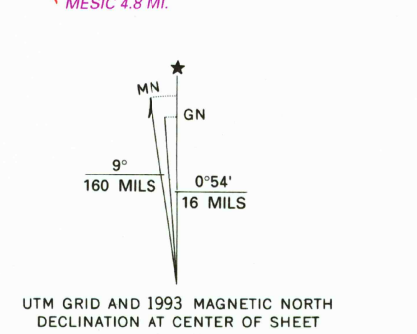


Mapped by the U.S. Coast and Geodetic Survey
Revised by the United States Geological Survey
Control by USGS, NOS/NOAA (C) and USCE (E)
Planimetry by photogrammetric methods from aerial photographs
taken 1948. Topography by planetable surveys 1948
Field checked 1950
Projection and 10,000-foot grid ticks: North Carolina coordinate
system, (Lambert conformal conic)
1000-meter Universal Transverse Mercator grid ticks, zone 18, shown in blue
1927 North American Datum (NAD 27)
North American Datum of 1983 (NAD 83) is shown by dashed corner ticks
The values of the shift between NAD 27 and NAD 83 for 7.5-minute
intersections are given in USGS Bulletin 1875
There may be private inholdings within the boundaries of
the National or State reservations shown on this map



ROAD CLASSIFICATION

Primary highway, hard surface	Light-duty road, hard or improved surface
Secondary highway, hard surface	Unimproved road
Interstate Route	U. S. Route
	State Route

COMPLIES WITH U.S. GEOLOGICAL SURVEY STANDARDS FOR SPATIAL ACCURACY - CLASS 2
FOR SALE BY U.S. GEOLOGICAL SURVEY, DENVER, COLORADO 80225, OR RESTON, VIRGINIA 22092
A FOLDER DESCRIBING TOPOGRAPHIC MAPS AND SYMBOLS IS AVAILABLE ON REQUEST

Revisions shown in purple compiled by the U.S. Geological Survey
from aerial photographs taken 1989-90 and other sources
This information not field checked. Map edited 1993
Information shown in purple may not meet USGS content
standards and may conflict with previously mapped contours

LOWLAND, N.C.
35076-C5-TF-024
1950
REVISED 1993
DMA 5654 I SE-SERIES V842

RETURN TO:
USGS HISTORICAL MAP ARCHIVES
LOWLAND
ISBN # 0607331011 NC 024
TF
9 780607 331011