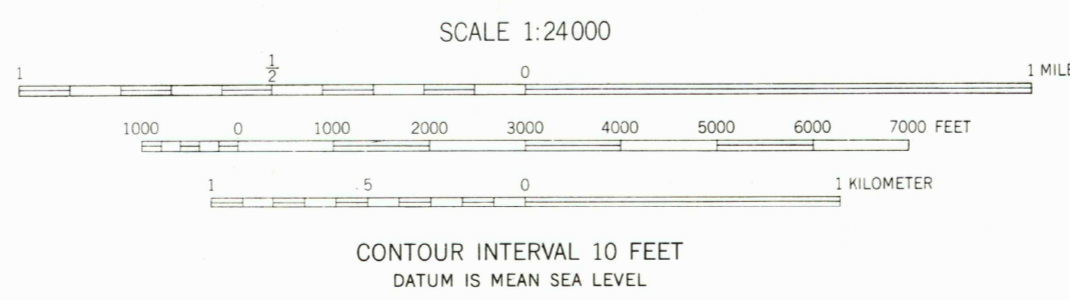




Mapped by the Army Map Service
Edited and published by the Geological Survey
Control by USGS, USC&GS, and CE
Topography from aerial photographs by multiplex methods
Aerial photographs taken 1946-1947. Field check 1948
Transverse Mercator projection. 1927 North American datum
10,000-foot grid based on North Carolina coordinate system.
Unchecked elevations are shown in brown

24°
TRUE NORTH
MAGNETIC NORTH
APPROXIMATE MEAN
DECLINATION, 1948



ROAD CLASSIFICATION	
Primary highway, hard surface	Light-duty road, hard or improved surface
Secondary highway, hard surface	Unimproved road
Interstate Route	U. S. Route
	State Route

Historical File
Topographic Division

SANATORIUM, N. C.
N3500-W7915/7.5

APR 17 1978

1300

THIS MAP COMPLIES WITH NATIONAL MAP ACCURACY STANDARDS
FOR SALE BY U. S. GEOLOGICAL SURVEY, WASHINGTON 25, D. C.
A FOLDER DESCRIBING TOPOGRAPHIC MAPS AND SYMBOLS IS AVAILABLE ON REQUEST

This map was reproduced by electronic color scanning of an earlier printing (1950).