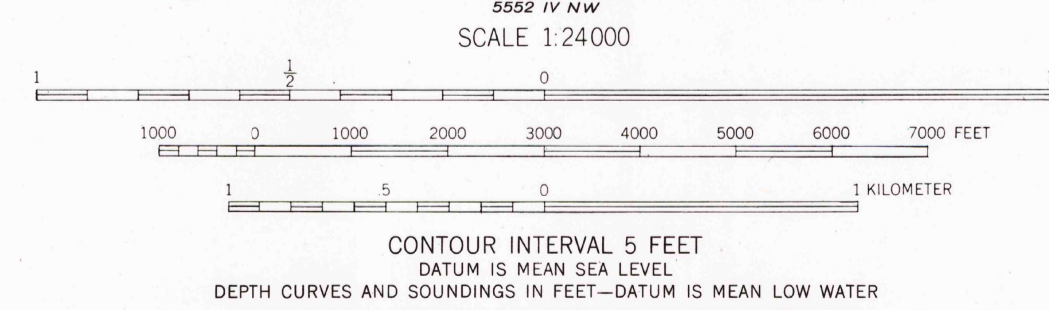
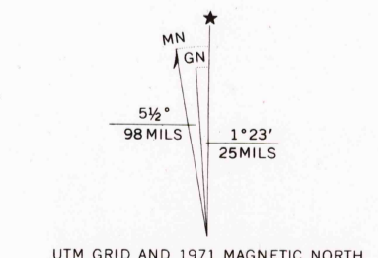




Mapped by the U. S. Coast and Geodetic Survey
Edited and published by the Geological Survey
Control by USC&GS (C), USCE (E), and USMC (M)
Culture and drainage in part compiled from aerial
photographs taken 1949 and 1952. Topography by
plane-table surveys 1950 and 1952. Field check 1952
Hydrography from surveys dated 1927 and 1933
Polyconic projection. 1927 North American datum
10,000-foot grid based on North Carolina coordinate
system
Unchecked elevations are shown in brown
1000-meter Universal Transverse Mercator grid ticks,
zone 18, shown in blue
Revisions shown in purple compiled by the Geological Survey from
aerial photographs taken 1971. This information not field checked



CONTOUR INTERVAL 5 FEET
DATUM IS MEAN SEA LEVEL
DEPTH CURVES AND SOUNDINGS IN FEET—DATUM IS MEAN LOW WATER
SHORELINE SHOWN REPRESENTS THE APPROXIMATE LINE OF MEAN HIGH WATER
THE MEAN RANGE OF TIDE IS 3 FEET



ROAD CLASSIFICATION
Heavy-duty ——— Light-duty ———
Medium-duty - - - - - Unimproved dirt - - - - -
U. S. Route State Route



SNEADS FERRY, N. C.
SW/4 NEW RIVER 15' QUADRANGLE
N3430—W7722.5/7.5
1952
PHOTOREVISED 1971
AMS 5553 III SW—SERIES V842

THIS MAP COMPLIES WITH NATIONAL MAP ACCURACY STANDARDS
FOR SALE BY U. S. GEOLOGICAL SURVEY, WASHINGTON, D. C. 20242
A FOLDER DESCRIBING TOPOGRAPHIC MAPS AND SYMBOLS IS AVAILABLE ON REQUEST