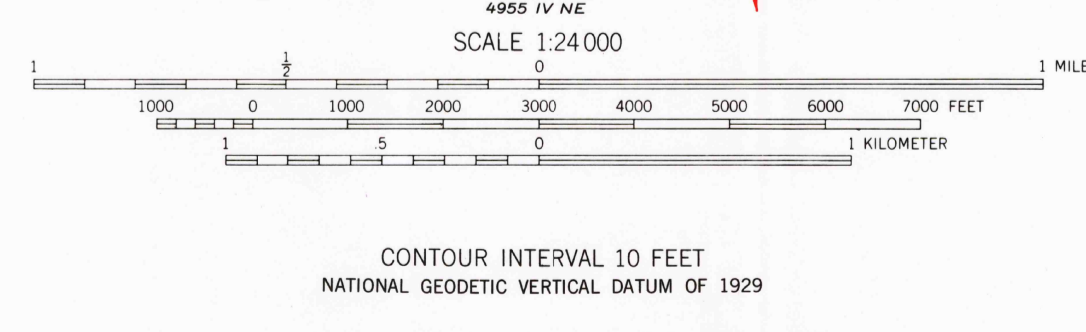
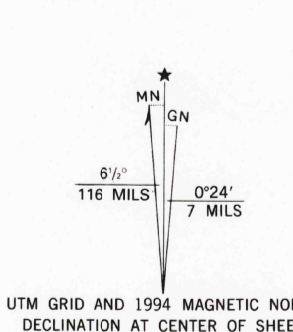


Produced by the United States Geological Survey
Control by USGS, NOS/NOAA, and North Carolina Geodetic Survey
Planimetry by photogrammetric methods from aerial photographs taken 1948. Topography by planetable surveys 1949-50
North American Datum of 1927 (NAD 27). Projection and 10 000-foot ticks: North Carolina coordinate system, (Lambert conformal conic)
Blue 1000-meter Universal Transverse Mercator ticks, zone 17
North American Datum of 1983 (NAD 83) is shown by dashed corner ticks. The values of the shift between NAD 27 and NAD 83 for 7.5-minute intersections are obtainable from National Geodetic Survey NADCON software
Red tint indicates area in which only landmark buildings are shown



ROAD CLASSIFICATION

Primary highway, hard surface	Light-duty road, hard or improved surface
Secondary highway, hard surface	Unimproved road
Interstate Route	U. S. Route
	State Route

COMPLIES WITH U.S. GEOLOGICAL SURVEY STANDARDS FOR SPATIAL ACCURACY - CLASS 2
FOR SALE BY U.S. GEOLOGICAL SURVEY
DENVER, COLORADO 80225 OR RESTON, VIRGINIA 22092
A FOLDER DESCRIBING TOPOGRAPHIC MAPS AND SYMBOLS IS AVAILABLE ON REQUEST

Revisions shown in purple compiled in cooperation with State of North Carolina agencies from aerial photographs taken 1991 and other sources. This information not field checked. Map edited 1994.
Information shown in purple may not meet USGS content standards and may conflict with previously mapped contours.
Purple tint indicates extension of urban areas

WINSTON-SALEM WEST, N. C.
36080-A3-TF-024
1950
REVISED 1994
DMA 4956 III SE - SERIES 1942

