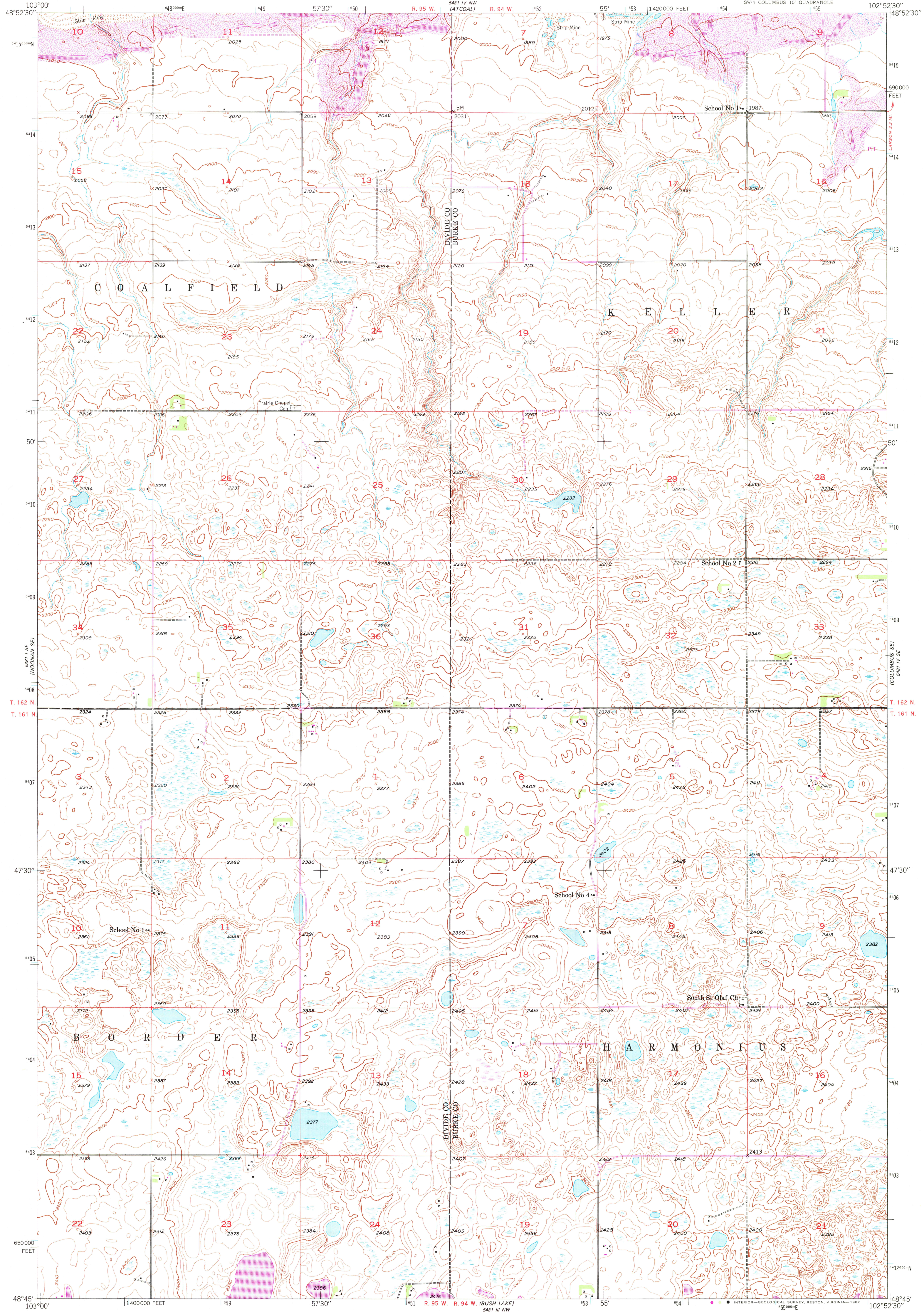


5481 IV NW (ATCOAL)

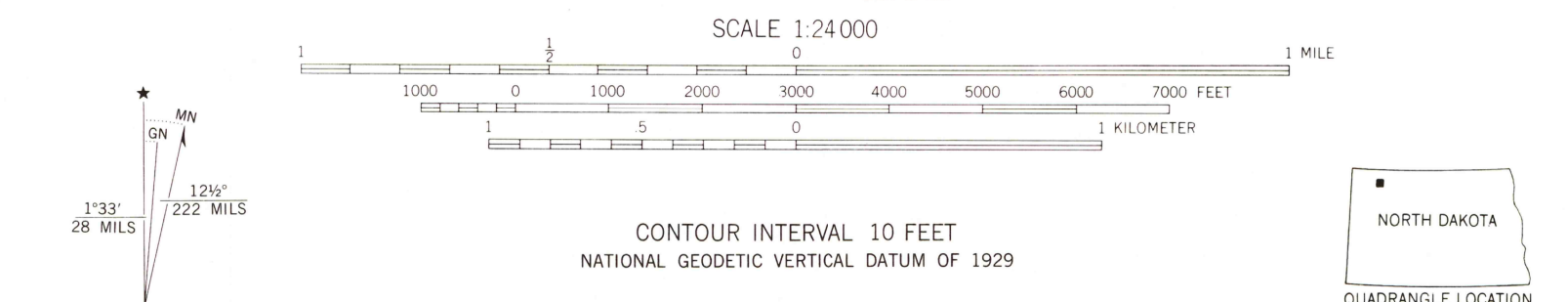
UNITED STATES DEPARTMENT OF THE INTERIOR GEOLOGICAL SURVEY

COLUMBUS SW QUADRANGLE NORTH DAKOTA 7.5 MINUTE SERIES (TOPOGRAPHIC)

5481 IV NE (COLUMBUS)



Maped, edited, and published by the Geological Survey as part of the Department of the Interior program for the development of the Missouri River Basin Control by USGS and USC&GS Culture and drainage in part compiled from aerial photographs taken 1946 Topography by plane-table methods 1948 Polyconic projection. 1927 North American datum 10000-foot grid based on North Dakota coordinate system, north zone 1000-meter Universal Transverse Mercator grid ticks, zone 13, shown in blue To place on the predicted North American Datum 1983 move the projection lines 3 meters north and 36 meters east as shown by dashed corner ticks



ROAD CLASSIFICATION: HARD-SURFACE ALL WEATHER ROADS, DRY WEATHER ROADS, Heavy-duty, 2 LANE LANE Improved dirt, Medium-duty, 2 LANE LANE Unimproved dirt, Loose-surface, graded, or narrow hard-surface, U. S. Route, State Route

COLUMBUS SW, N. DAK. N4845-W10252 5/7.5 SW 1/4 COLUMBUS 15' QUADRANGLE EDITION OF 1949 PHOTOREVISED 1981 DMA 5481 IV SW-SERIES 1981

JAN 20 1982

2000