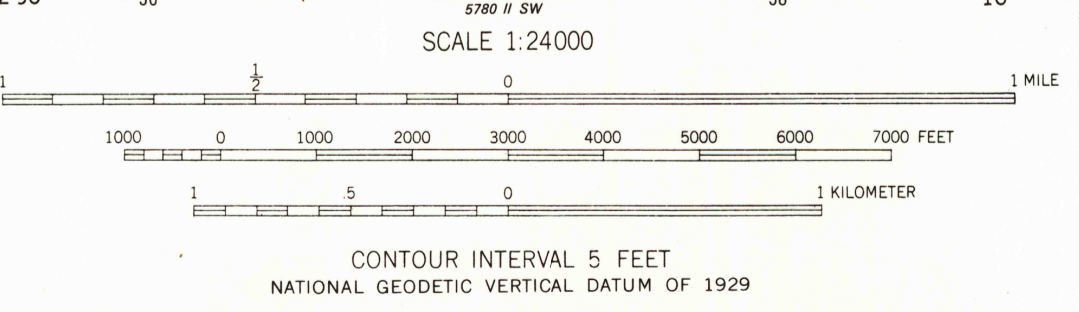
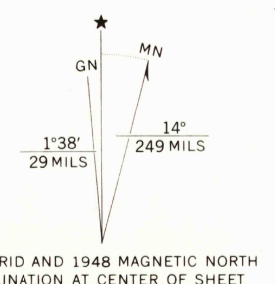


Mapped, edited, and published by the Geological Survey as part of the Department of the Interior program for the development of the Missouri River Basin
Control by USGS and USC&GS
Culture and drainage in part compiled from aerial photographs taken 1938
Topography by plane-table methods 1948
Polyconic projection 1927 North American datum 10,000-foot grid based on North Dakota coordinate system north zone
1000-meter Universal Transverse Mercator grid ticks, zone 16, shown in blue
Map photoinspected 1971
No major culture or drainage changes observed



ROAD CLASSIFICATION

HARD-SURFACE ALL WEATHER ROADS	DRY WEATHER ROADS
Heavy-duty — 4 LANE 16 LANE	Improved dirt —
Medium-duty — 4 LANE 16 LANE	Unimproved dirt —
Loose-surface, graded, or narrow hard-surface —	
U. S. Route	State Route

USGS
Historical File
Topographic Division

SURREY, N. DAK.
NW/4 SAWYER 15' QUADRANGLE
N4807.5-W10107.5/5.75

1500
APR 17 1978

THIS MAP COMPLIES WITH NATIONAL MAP ACCURACY STANDARDS
FOR SALE BY U. S. GEOLOGICAL SURVEY, DENVER, COLORADO 80225, OR RESTON, VIRGINIA 22092
A FOLDER DESCRIBING TOPOGRAPHIC MAPS AND SYMBOLS IS AVAILABLE ON REQUEST

This map was reproduced by electronic color scanning of an earlier printing