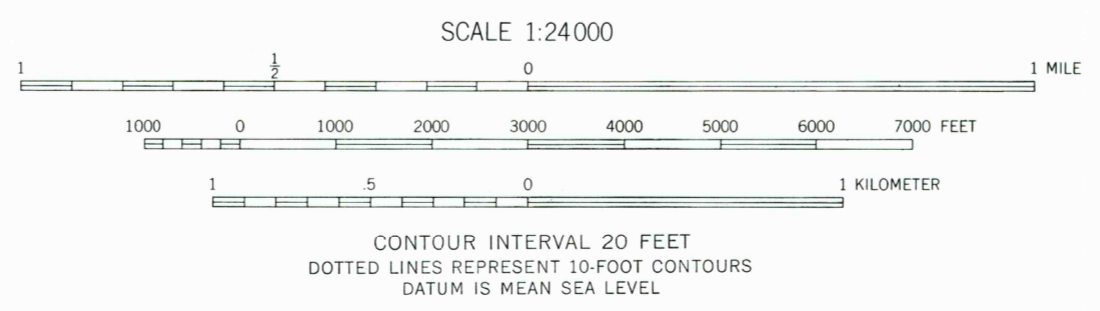
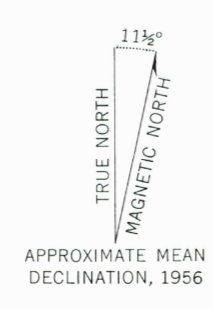




Mapped, edited, and published by the Geological Survey as part of the Department of the Interior program for the development of the Missouri River Basin Control by USGS and USC&GS
Topography from aerial photographs by multiplex methods
Aerial photographs taken 1952. Field check 1956
Polyconic projection. 1927 North American datum
10,000-foot grid based on Nebraska coordinate system, south zone
1000-meter Universal Transverse Mercator grid ticks, zone 14, shown in blue



JEFFREY RESERVOIR SW, NEBR.
N 4045—W 10022.5/7.5

MAY 0 2 1977

THIS MAP COMPLIES WITH NATIONAL MAP ACCURACY STANDARDS
FOR SALE BY U. S. GEOLOGICAL SURVEY, DENVER 2, COLORADO OR WASHINGTON 25, D. C.
A FOLDER DESCRIBING TOPOGRAPHIC MAPS AND SYMBOLS IS AVAILABLE ON REQUEST

USGS
Historical File
Topographic Division