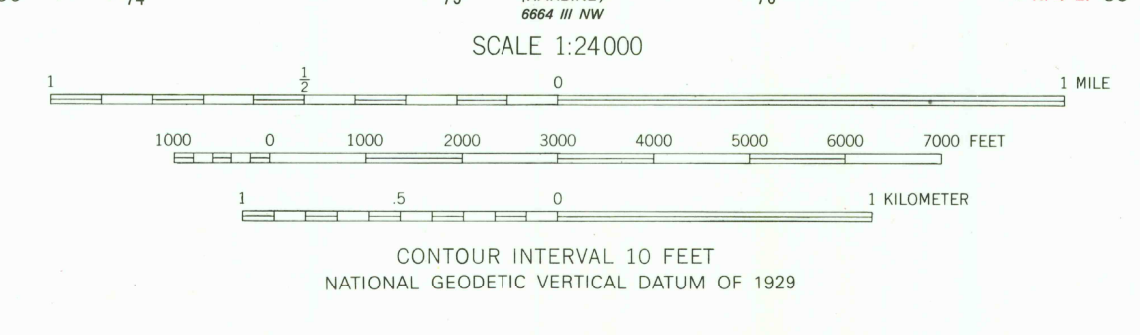
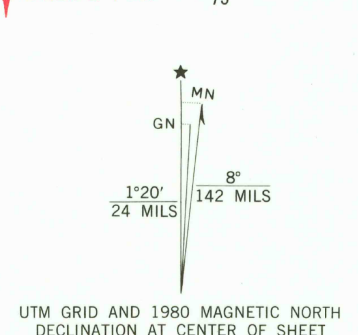


Mapped, edited, and published by the Geological Survey as part of the Department of the Interior program for the development of the Missouri River Basin Control by USGS and USC&GS
Topography from aerial photographs by photogrammetric methods Aerial photographs taken 1951. Field check 1957
Polyconic projection. 1927 North American datum 10,000-foot grid based on Nebraska coordinate system, south zone 1000-meter Universal Transverse Mercator grid ticks, zone 14, shown in blue
To place on the predicted North American Datum 1983 move the projection lines 3 meters north and 26 meters east as shown by dashed corner ticks
Revisions shown in purple compiled from aerial photographs taken 1978. Map edited 1980. This information not field checked



ROAD CLASSIFICATION
Primary highway, hard surface
Secondary highway, hard surface
Unimproved road
Light-duty road, hard or improved surface
Interstate Route
U. S. Route
State Route

NEBRASKA
QUADRANGLE LOCATION

THIS MAP COMPLIES WITH NATIONAL MAP ACCURACY STANDARDS
FOR SALE BY U.S. GEOLOGICAL SURVEY, DENVER, COLORADO 80225, OR RESTON, VIRGINIA 22092
A FOLDER DESCRIBING TOPOGRAPHIC MAPS AND SYMBOLS IS AVAILABLE ON REQUEST

USGS
Historical File
Topographic Division
PLYMOUTH, NEBR.
N4015-W9652.5/7.5
1957
PHOTOREVISED 1980
DMA 6664 IV SW-SERIES 1975

AUG 20 1980

1650