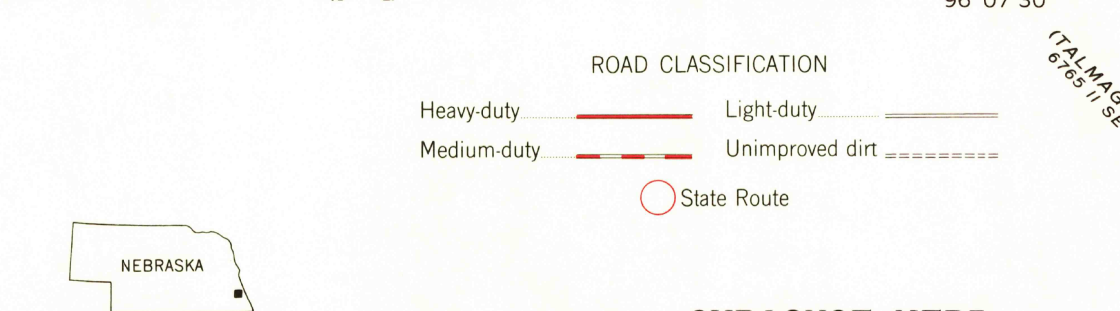
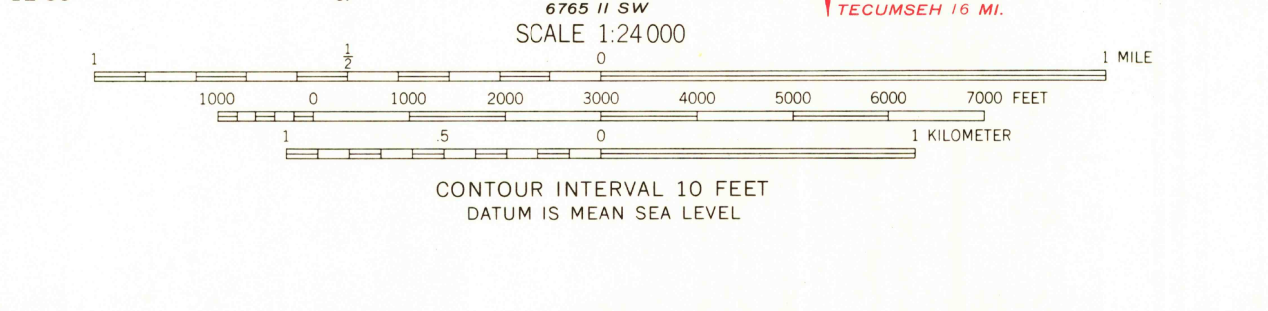
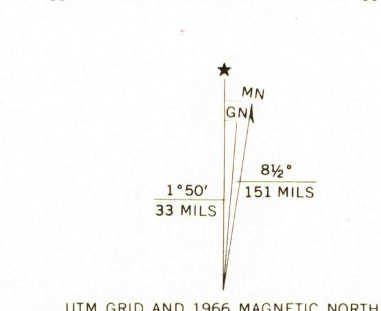


Mapped, edited, and published by the Geological Survey as part of the Department of the Interior program for the development of the Missouri River Basin. Control by USGS and USC&GS. Topography by photogrammetric methods from aerial photographs taken 1965. Field checked 1966. Polyconic projection. 1927 North American datum 10,000-foot grid based on Nebraska coordinate system, south zone 1000-meter Universal Transverse Mercator grid ticks, zone 14, shown in blue. Fine red dashed lines indicate selected fence and field lines where generally visible on aerial photographs. This information is unchecked.



THIS MAP COMPLIES WITH NATIONAL MAP ACCURACY STANDARDS  
FOR SALE BY U. S. GEOLOGICAL SURVEY, DENVER, COLORADO 80225, OR WASHINGTON, D. C. 20242  
A FOLDER DESCRIBING TOPOGRAPHIC MAPS AND SYMBOLS IS AVAILABLE ON REQUEST

SYRACUSE, NEBR.  
N4037.5—W9607.5/7.5  
1966  
AMS 6765 II NW—SERIES V875

2695  
MAR 20 1968