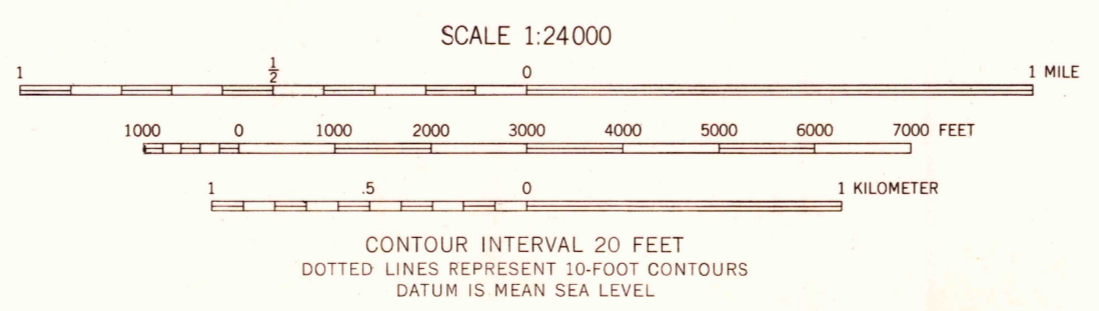
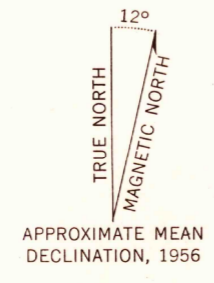


U.S.G.S.
FILE COPY
TOPOGRAPHIC DIVISION

USGS
Historical File
Topographic Division

Mapped, edited, and published by the Geological Survey as part of the Department of the Interior program for the development of the Missouri River Basin. Control by USGS and USC&GS. Topography from aerial photographs by photogrammetric methods. Aerial photographs taken 1952. Field check 1956. Polyconic projection. 1927 North American datum. 10,000-foot grid based on Nebraska coordinate system, south zone. 1000-meter Universal Transverse Mercator grid ticks, zone 14, shown in blue.



CONTOUR INTERVAL 20 FEET
DOTTED LINES REPRESENT 10-FOOT CONTOURS
DATUM IS MEAN SEA LEVEL



ROAD CLASSIFICATION
Light duty ——— Unimproved dirt - - - - -

U.S.G.S.
FILE COPY
TOPOGRAPHIC DIVISION

WHITE NE, NEBR.
N 4037.5—W 10045/7.5
1956

THIS MAP COMPLIES WITH NATIONAL MAP ACCURACY STANDARDS
FOR SALE BY U. S. GEOLOGICAL SURVEY, DENVER 2, COLORADO OR WASHINGTON 25, D. C.
A FOLDER DESCRIBING TOPOGRAPHIC MAPS AND SYMBOLS IS AVAILABLE ON REQUEST

SEP 16 1957