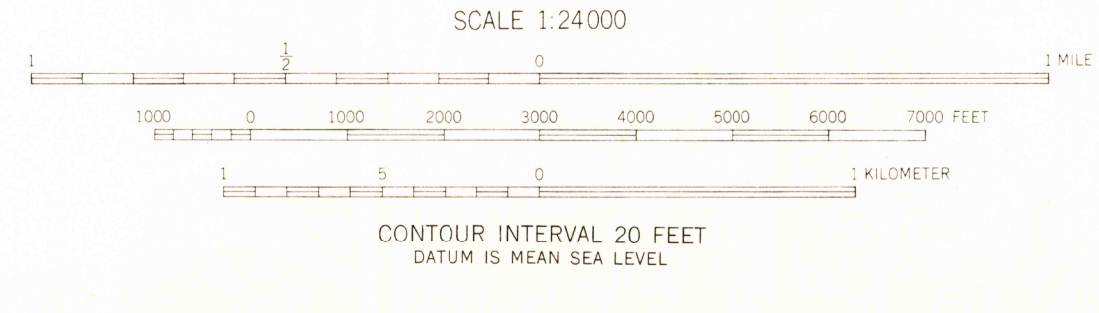
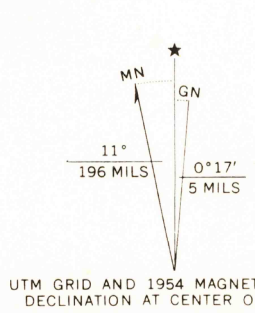


Mapped by the Army Map Service  
Edited and published by the Geological Survey  
Control by USGS, USC&GS, and New Jersey Geodetic Survey  
Topography from aerial photographs by stereophotogrammetric methods. Aerial photographs taken 1942.  
Culture revised by the Geological Survey 1954  
Polyconic projection. 1927 North American datum  
10,000-foot grid based on New Jersey coordinate system  
1000-meter Universal Transverse Mercator grid ticks,  
zone 18, shown in blue  
Unchecked elevations are shown in brown



ROAD CLASSIFICATION

Heavy-duty	Light-duty
Medium-duty	Unimproved dirt
State Route	



U.S.G.S.  
FILE COPY  
TOPOGRAPHIC DIVISION

FRANKLIN, N. J.  
N4100-W7430/7.5  
1954  
AMS 6066 II SE-SERIES V822

USGS  
Historical File  
Topographic Division

6065  
MAR 3 1970