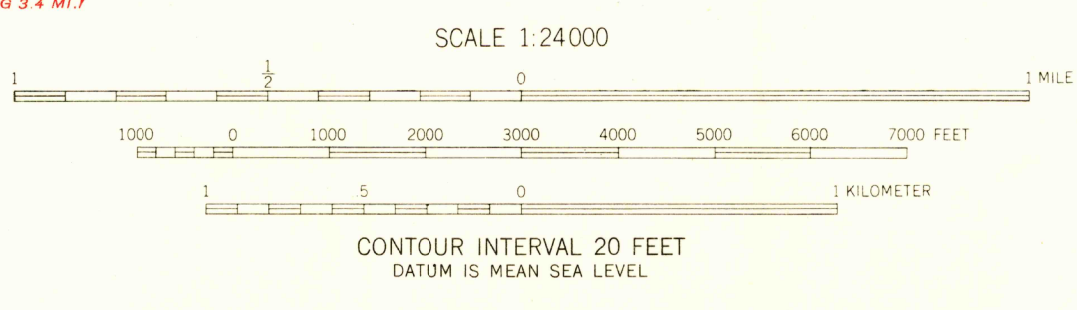
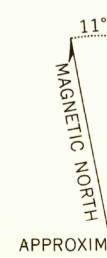


U.S.G.S.
FILE COPY
TOPOGRAPHIC DIVISION

Mapped by the Army Map Service
Edited and published by the Geological Survey
Control by USC&GS and New Jersey Geodetic Survey
Topography from aerial photographs by stereophotogrammetric
methods. Aerial photographs taken 1942 and 1951. Field
check 1943. Culture revised by the Geological Survey 1954
Polyconic projection. 1927 North American datum
10,000-foot grid based on New Jersey coordinate system
Unchecked elevations are shown in brown



ROAD CLASSIFICATION

Heavy-duty	Light-duty
Medium-duty	Unimproved dirt
U. S. Route	State Route

HAMBURG, N. J.
N4107.5-W7430/7.5
1954

U.S.G.S.
FILE COPY
TOPOGRAPHIC DIVISION

MAR 16 1956

3690

THIS MAP COMPLIES WITH NATIONAL MAP ACCURACY STANDARDS
FOR SALE BY U. S. GEOLOGICAL SURVEY, WASHINGTON 25, D. C.
A FOLDER DESCRIBING TOPOGRAPHIC MAPS AND SYMBOLS IS AVAILABLE ON REQUEST