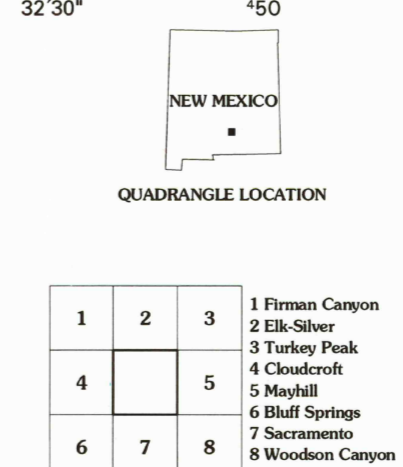
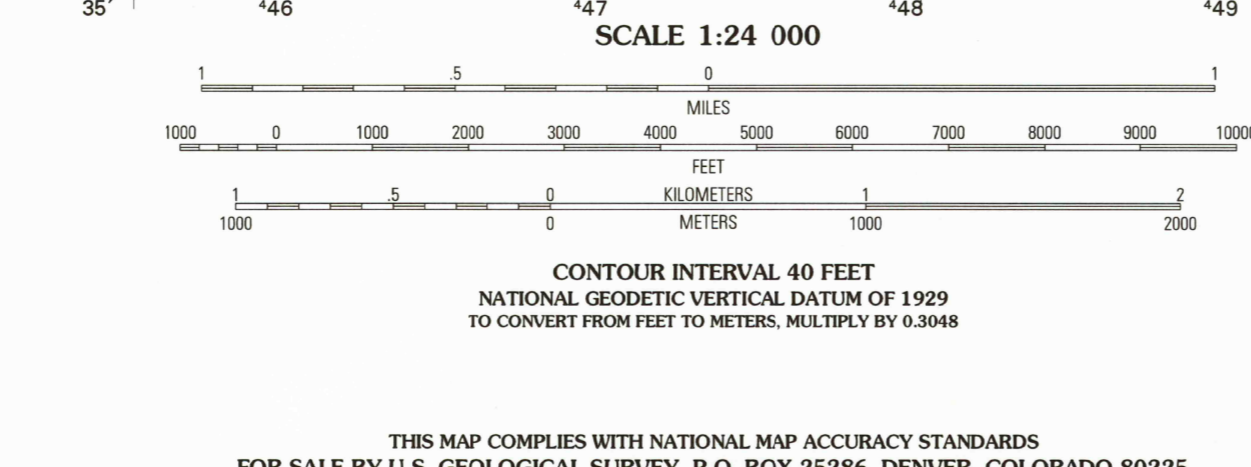
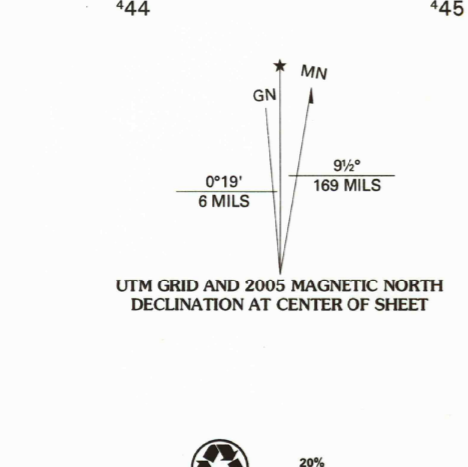




Produced by the United States Geological Survey 1974
Revision by USDA Forest Service 2004
Topography compiled 1973. Planimetry derived from imagery taken 1999 and other sources. Public Land Survey System and survey control current as of 2004. Boundaries current as of 2004.
North American Datum of 1983 (NAD 83). Projection and 1 000-meter grid: Universal Transverse Mercator, zone 13
2 500-meter ticks: New Mexico Coordinate System (central zone)
North American Datum of 1927 (NAD 27) is shown by dashed corner ticks
The values of the shift between NAD 83 and NAD 27 for 7.5-minute intersections are obtainable from National Geodetic Survey NADCON software
Non-National Forest System lands within the National Forest
Inholdings may exist in other National or State reservations
This map is not a legal document. Public lands are subject to change and leasing, and may have access restrictions; check with appropriate offices
Obtain permission before entering private lands



HIGHWAYS AND ROADS

Interstate.....	5	Primary highway.....	Red line
U.S.	101	Secondary highway.....	Red dashed line
State.....	6	Light-duty road.....	Black dashed line
County.....	10	Composition: Unspecified.....	Black solid line
National Forest, suitable for passenger cars.....	100	Paved.....	Black solid line with dashes
National Forest, suitable for high clearance vehicles.....	100	Gravel.....	Black solid line with dashes
National Forest Trail.....	304	Unimproved; 4 wheel drive.....	Black solid line with dashes

DEC 27 2006
Unimproved; 4 wheel drive.....
Trail.....
Gate; Barrier.....

BELL CANYON, NM (FORMERLY HARVEY RANCH) 2004
32105-H5-TF-024
NGA 4849 I NE-SERIES V881

USGS Library Reston, VA Topo Archive
ISSN 1-411-30084-X
9 781411 300842

3 1818 00531676 9

THIS MAP COMPLIES WITH NATIONAL MAP ACCURACY STANDARDS
FOR SALE BY U.S. GEOLOGICAL SURVEY, P.O. BOX 25286, DENVER, COLORADO 80225
A FOLDER DESCRIBING TOPOGRAPHIC MAPS AND SYMBOLS IS AVAILABLE ON REQUEST