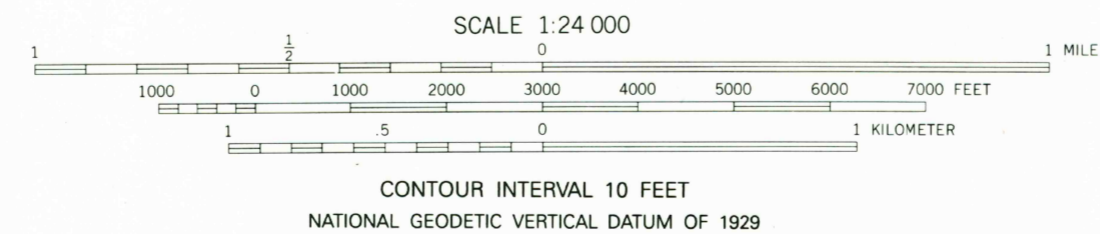
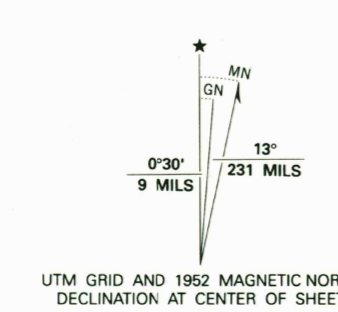


Produced by the United States Geological Survey  
Control by USGS and NOS/NOAA  
Compiled from aerial photographs taken 1947  
Topography by plane-table surveys 1952  
North American Datum of 1927 (NAD 27). Projection and  
10,000-foot grid ticks: New Mexico Coordinate System,  
east zone (Transverse Mercator)  
1000-meter Universal Transverse Mercator grid ticks, zone 13,  
shown in blue  
The difference between NAD 27 and North American Datum of  
1983 (NAD 83) for 7.5 minute intersections is given in USGS  
Bulletin 1875. The NAD 83 is shown by dashed corner ticks



ROAD CLASSIFICATION

Primary highway, hard surface	Light-duty road, hard or improved surface
Secondary highway, hard surface	Unimproved road
Interstate Route	U. S. Route
	State Route



THIS MAP COMPLIES WITH NATIONAL MAP ACCURACY STANDARDS  
FOR SALE BY U.S. GEOLOGICAL SURVEY  
DENVER, COLORADO 80225, OR RESTON, VIRGINIA 22092  
A FOLDER DESCRIBING TOPOGRAPHIC MAPS AND SYMBOLS IS AVAILABLE ON REQUEST

CONNOR WELL, N. MEX.  
33104-B1-TF-024  
1952  
DMA 5150 II NE-SERIES V881