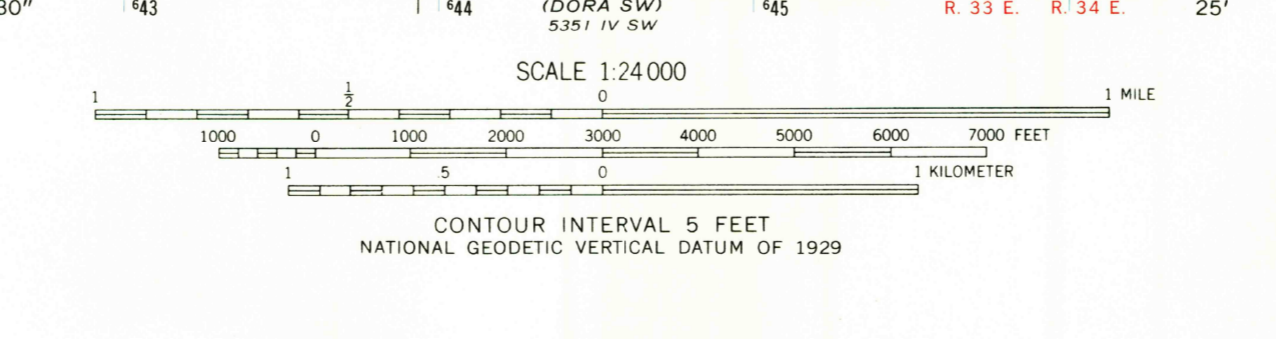
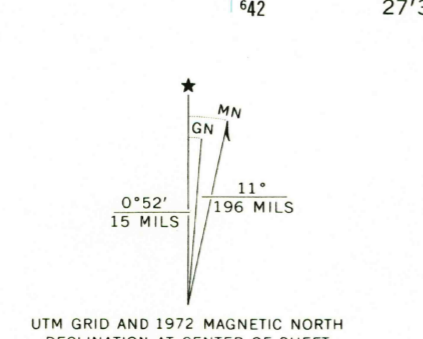


Mapped, edited, and published by the Geological Survey
 Control by USGS and USC&GS
 Topography by photogrammetric methods from aerial photographs taken 1971. Field checked 1972
 Projection and 10,000-foot grid ticks: New Mexico coordinate system, east zone (transverse Mercator)
 1000-meter Universal Transverse Mercator grid ticks, zone 13, shown in blue. 1927 North American datum
 Fine red dashed lines indicate selected fence lines



ROAD CLASSIFICATION

- Primary highway, hard surface
- Secondary highway, hard surface
- Unimproved road
- Light-duty road, hard or improved surface
- Interstate Route
- U. S. Route
- State Route

UTM GRID AND 1972 MAGNETIC NORTH DECLINATION AT CENTER OF SHEET

NEW MEXICO

QUADRANGLE LOCATION

THIS MAP COMPLIES WITH NATIONAL MAP ACCURACY STANDARDS
 FOR SALE BY U.S. GEOLOGICAL SURVEY, DENVER, COLORADO 80225, OR RESTON, VIRGINIA 22092
 A FOLDER DESCRIBING TOPOGRAPHIC MAPS AND SYMBOLS IS AVAILABLE ON REQUEST