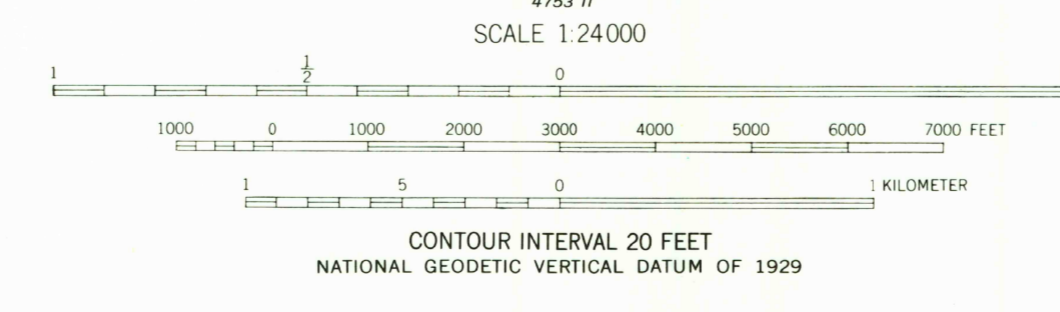
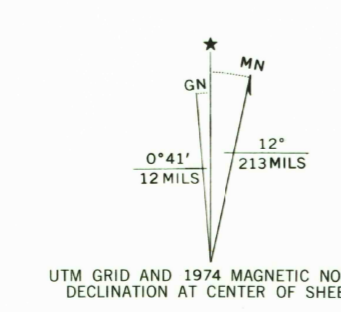


Mapped, edited, and published by the Geological Survey
Control by USGS and USC&GS
Topography from aerial photographs by multiplex methods
Aerial photographs taken 1952. Field check 1954
Polyconic projection. 1927 North American datum
10,000-foot grid based on New Mexico coordinate system,
central zone
1000-meter Universal Transverse Mercator grid ticks,
zone 13, shown in blue
Revisions shown in purple compiled from aerial photographs
taken 1974. This information not field checked



ROAD CLASSIFICATION

- Heavy-duty ——— Light-duty ———
- Medium-duty ——— Unimproved dirt ———
- U.S. Route ——— State Route ———

NEW MEXICO
QUADRANGLE LOCATION

USGS
Historical File
Topographic Division

MILBOURN RANCH, N. MEX. 2450
(SW/4 ESTANCIA 15' QUADRANGLE)
N3445—W10607.5/7.5

APR 04 1978

1954
PHOTOREVISED 1974
AMS 4753 I SW—SERIES V871

THIS MAP COMPLIES WITH NATIONAL MAP ACCURACY STANDARDS
FOR SALE BY U.S. GEOLOGICAL SURVEY, DENVER, COLORADO 80225, OR RESTON, VIRGINIA 22092
A FOLDER DESCRIBING TOPOGRAPHIC MAPS AND SYMBOLS IS AVAILABLE ON REQUEST