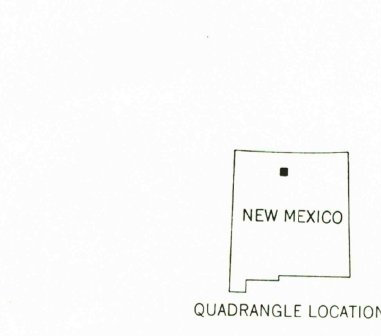
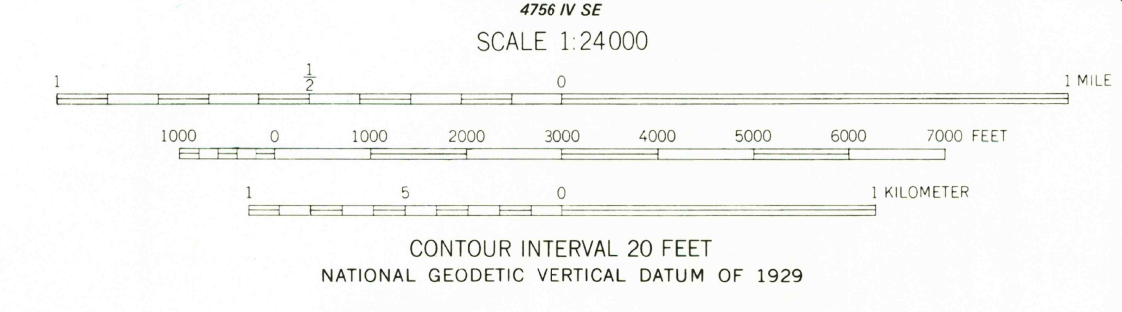
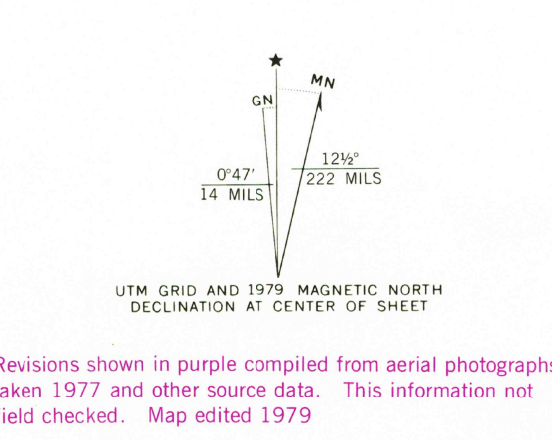


Mapped, edited, and published by the Geological Survey
Control by USGS and NOS/NOAA
Topography from aerial photographs by Keshl plotter methods
Aerial photographs taken 1951. Field check 1953
Polyconic projection. 1927 North American Datum
10,000-foot grid based on New Mexico coordinate system,
central zone
Dashed land lines indicate approximate locations
Unchecked elevations are shown in brown
1000-meter Universal Transverse Mercator grid ticks,
zone 13, shown in blue
There may be private inholdings within the boundaries of
the National or State reservations shown on this map



ROAD CLASSIFICATION

Heavy-duty	4 LANE 16 LANE	Light-duty
Medium-duty	4 LANE 6 LANE	Unimproved dirt
U.S. Route		State Route

THIS MAP COMPLIES WITH NATIONAL MAP ACCURACY STANDARDS
FOR SALE BY U.S. GEOLOGICAL SURVEY, DENVER, COLORADO 80225, OR RESTON, VIRGINIA 22092
A FOLDER DESCRIBING TOPOGRAPHIC MAPS AND SYMBOLS IS AVAILABLE ON REQUEST

To place on the predicted North American Datum 1983
move the projection lines 1 meter north and
51 meters east as shown by dashed corner ticks

MOGOTE PEAK, N. MEX.
(FORMERLY MAGOTE PEAK)
36106-03-TF-024
1953
PHOTOREVISED 1979
DMA 4756 IV NE—SERIES V881