

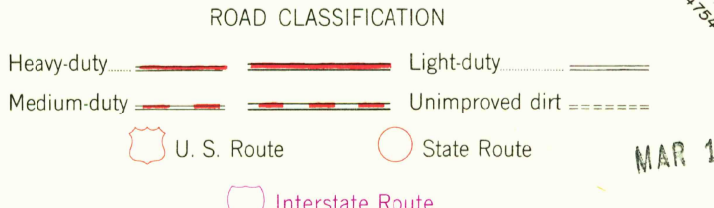
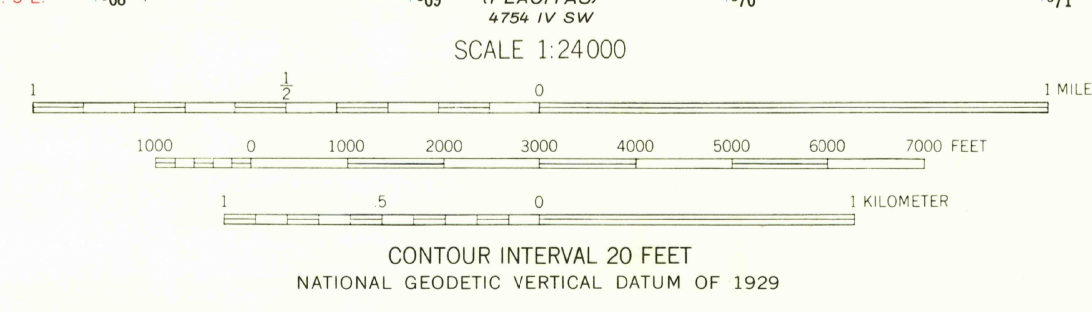
Mapped, edited, and published by the Geological Survey
Control by USGS and NOS/NOAA

Topography from aerial photographs by photogrammetric methods
and by plane-table surveys 1954. Aerial photographs taken 1952.
Polyconic projection. 1927 North American datum
10,000-foot grid based on New Mexico coordinate system,
central zone

Dashed land lines indicate approximate locations
West boundary of San Felipe Pueblo Grant adjacent to
Rio Grande omitted because of insufficient data

Unchecked elevations are shown in brown
1000 meter Universal Transverse Mercator grid ticks,
zone 13, shown in blue

Revisions shown in purple and woodland compiled from
aerial photographs taken 1975 and other source data.
This information not field checked. Map edited 1978



USGS
Historical File
Topographic Division

SAN FELIPE PUEBLO, N. MEX.
NW 4 SAN FELIPE PUEBLO 15' QUADRANGLE
N3522.5—W10622.5/7.5

1954
PHOTOREPRODUCED 1978
AMS 4754 IV NW—SERIES V681

MAR 15 1978

2300