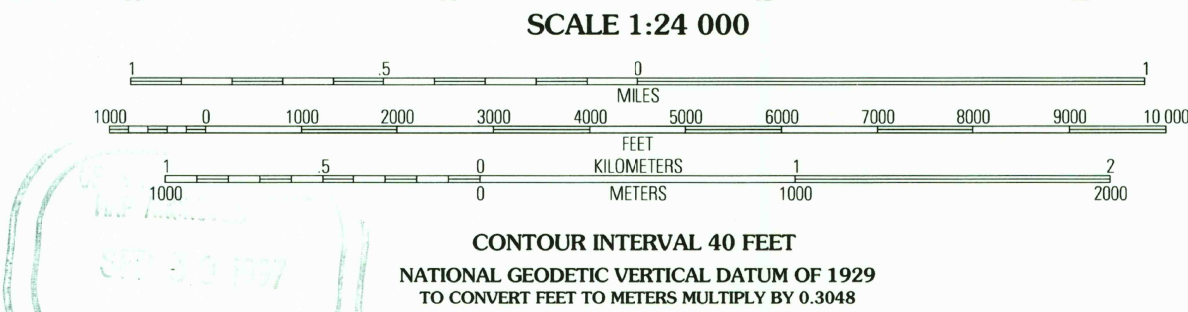
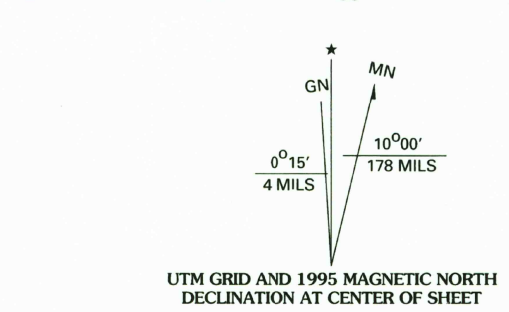


Produced by the U.S. Geological Survey
Revised by the U.S. Forest Service
Areas outside the National Forest System lands may not have been revised
Control by USGS and USC&GS
Compiled from aerial photographs taken 1964. Revised from aerial photographs taken 1990. Partial field check by U.S. Forest Service 1995
North American Datum of 1927 (NAD 27). Projection and 10000-foot ticks: New Mexico coordinate system, central zone (Transverse Mercator). Blue 1000-meter Universal Transverse Mercator ticks, zone 13
North American Datum of 1983 (NAD 83) is shown by dashed corner ticks
The values of the shift between NAD 27 and NAD 83 for 7.5-minute intersections are obtainable from National Geodetic Survey NADCON software
Non-National Forest System lands within the National Forest
Inholdings may exist in other National or State reservations
This map is not a legal land line or ownership document. Public lands are subject to change and leasing, and may have access restrictions; check with local offices. Obtain permission before entering private lands
Unsurveyed land net is not official



QUADRANGLE LOCATION

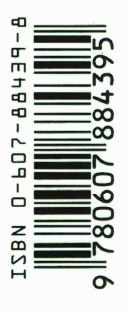
1	2	3
4	5	6
7	8	

ADJOINING 7.5 QUADRANGLES

HIGHWAYS AND ROADS

Interstate		Primary highway	
U. S.		Secondary highway	
State		Light-duty road	
County		Paved	
National Forest, suitable for passenger cars		Gravel	
National Forest, suitable for high clearance vehicles		Dirt	
National Forest Trail		Composition unspecified	
		Unimproved: 4 wheel drive	
		Trail	
		Gate	

SHADY BROOK, NM
1995
DMA 4956 IV SW - SERIES V881



THIS MAP COMPLIES WITH NATIONAL MAP ACCURACY STANDARDS
FOR SALE BY U.S. GEOLOGICAL SURVEY
DENVER, COLORADO 80225
A FOLDER DESCRIBING TOPOGRAPHIC MAPS AND SYMBOLS IS AVAILABLE ON REQUEST