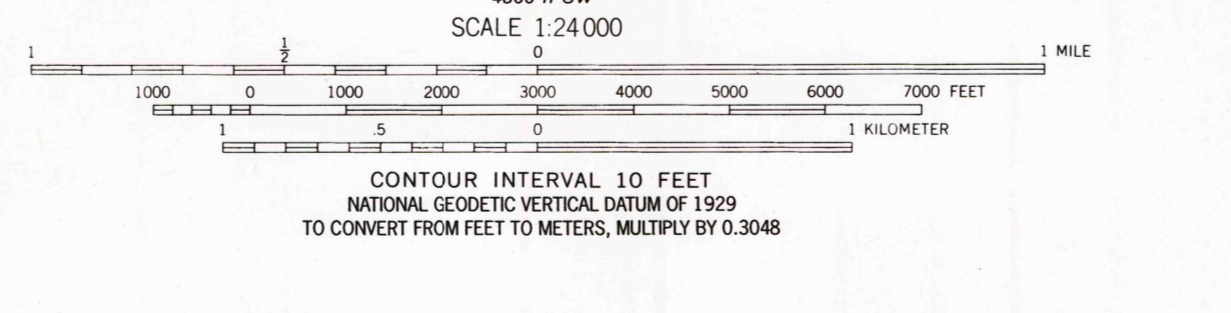
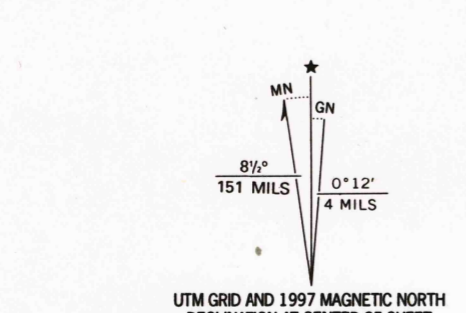


Produced by the United States Geological Survey
Topography compiled 1951. Planimetry derived from imagery taken 1977. Photoinspected using imagery dated 1994; no major culture or drainage changes observed. Survey control current as of 1962 boundaries, other than corporate, verified 1997
North American Datum of 1927 (NAD 27). Projection and 10 000-foot ticks: Ohio coordinate system, north zone (Lambert conformal conic)
1000-meter Universal Transverse Mercator grid, zone 17
North American Datum of 1983 (NAD 83) is shown by dashed corner ticks. The values of the shift between NAD 27 and NAD 83 for 7.5-minute intersections are obtainable from National Geodetic Survey NADCON software
Entire area lies within the Connecticut Western Reserve. Land lines established by private subdivision of the Connecticut Western Reserve
Information shown in purple may not meet USGS content standards and may conflict with previously mapped contours



ROAD CLASSIFICATION
Primary highway, hard surface
Secondary highway, hard surface
Light-duty road, hard or improved surface
Unimproved road
Interstate Route
U. S. Route
State Route

THIS MAP COMPLIES WITH NATIONAL MAP ACCURACY STANDARDS
FOR SALE BY U.S. GEOLOGICAL SURVEY, P.O. BOX 25286, DENVER, COLORADO 80225
A FOLDER DESCRIBING TOPOGRAPHIC MAPS AND SYMBOLS IS AVAILABLE ON REQUEST

GIRARD, OHIO

1994

DMA 4866 II NW-SERIES V852

