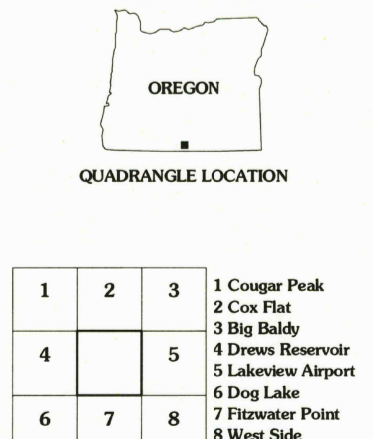
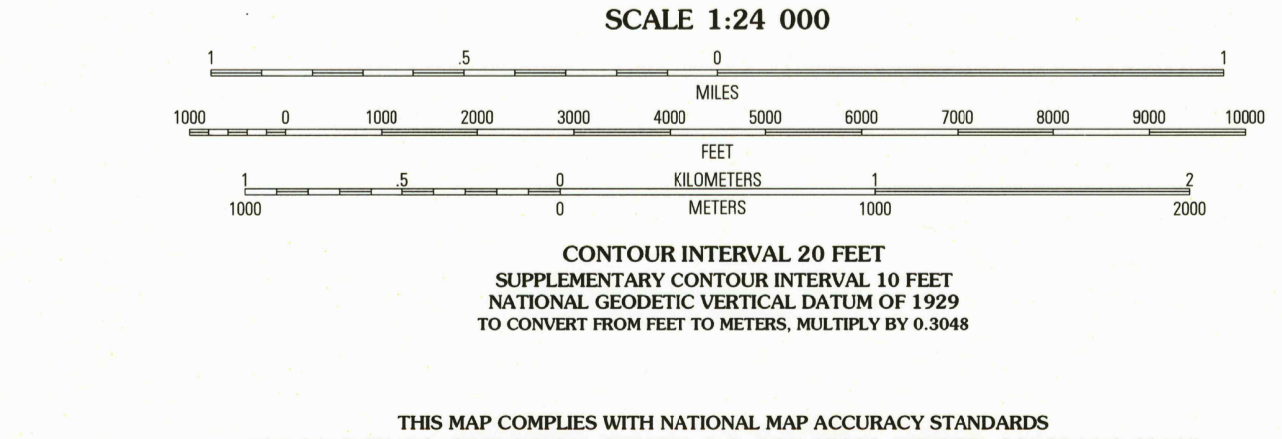
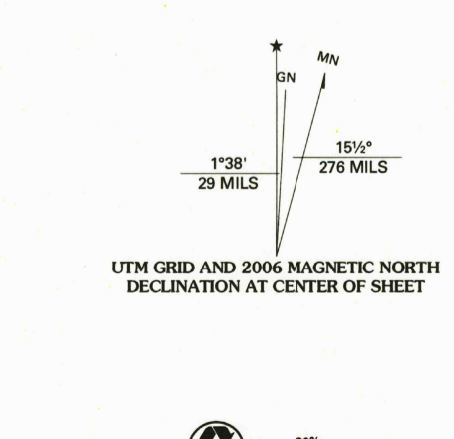


Produced by the United States Geological Survey 1980
Revision by USDA Forest Service 2004
Topography compiled 1960. Planimetry derived from imagery taken 2001 and other sources. Public Land Survey System and survey control current as of 2005. Boundaries current as of 2005.
North American Datum of 1983 (NAD 83). Projection and 1 000-meter grid: Universal Transverse Mercator, zone 10.
2 500-meter ticks: Oregon Coordinate System (south zone)
North American Datum of 1927 (NAD 27) is shown by dashed corner ticks
The values of the shift between NAD 83 and NAD 27 for 7.5-minute intersections are obtainable from National Geodetic Survey NADCON software
Non-National Forest System lands within the National Forest
Inholdings may exist in other National or State reservations
This map is not a legal document. Public lands are subject to change and leasing, and may have access restrictions; check with appropriate offices
Obtain permission before entering private lands



HIGHWAYS AND ROADS

Interstate.....	Primary highway.....
U.S.	Secondary highway.....
State.....	Light-duty road.....
County.....	Composition: Unspecified.....
National Forest, suitable for passenger cars.....	Paved.....
National Forest, suitable for high clearance vehicles.....	Gravel.....
National Forest Trail.....	Dirt.....
	Unimproved; 4 wheel drive.....
	Trail.....
	Gate; Barrier.....

1	2	3	1 Cougar Peak
4	5	2 Cox Flat	3 Big Baldy
6	7	4 Drews Reservoir	5 Lakeview Airport
	8	6 Dog Lake	7 Fitzwater Point
		8 West Side	

ADJOINING 7.5' QUADRANGLES

THIS MAP COMPLIES WITH NATIONAL MAP ACCURACY STANDARDS
FOR SALE BY U.S. GEOLOGICAL SURVEY, P.O. BOX 25286, DENVER, COLORADO 80225
A FOLDER DESCRIBING TOPOGRAPHIC MAPS AND SYMBOLS IS AVAILABLE ON REQUEST

U.S. GEOLOGICAL SURVEY LIBRARY
MAR 19 2008
RESTON, VA

ISBN 1-411-30402-0
9 781411 304024

USGS Library
Reston, VA
Topo Archive

USGS LIBRARY - RESTON
3 1818 00533404 8

DREWS GAP, OR
2004
42120-B5-TF-024
NGA 1868 II NE-SERIES V892