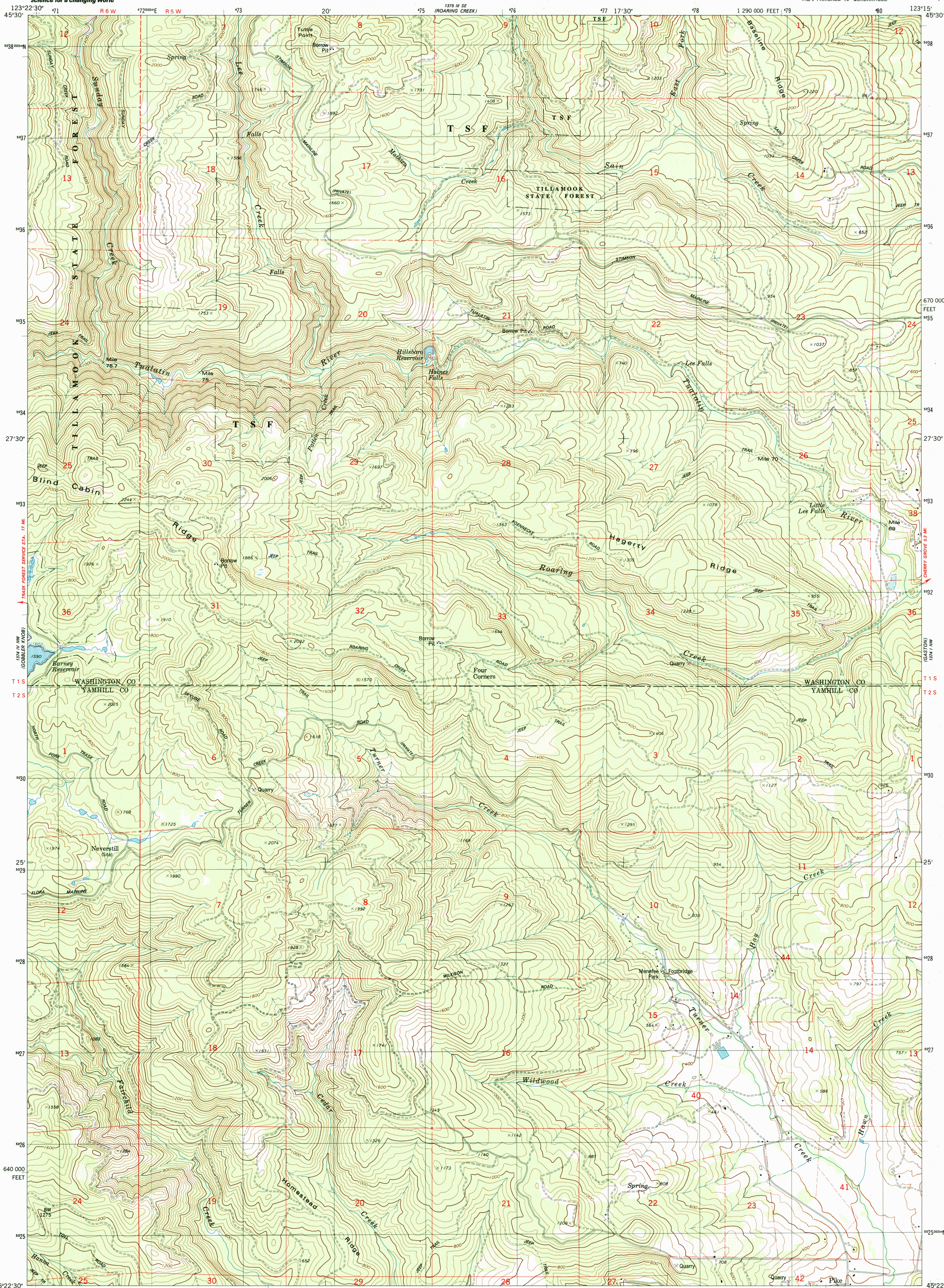




U.S. DEPARTMENT OF THE INTERIOR
U.S. GEOLOGICAL SURVEY

TURNER CREEK QUADRANGLE
OREGON
7.5 MINUTE SERIES (TOPOGRAPHIC)
NE/4 FAIRDALE 15' QUADRANGLE



Mapped, edited, and published by the Geological Survey

Control by USGS and NOS/NOAA

Topography by photogrammetric methods from aerial

photographs taken 1973. Field checked 1974

Map edited 1979

Projection and 10,000-foot grid ticks: Oregon coordinate

system, north zone (Lambert conformal conic)

1000-meter Universal Transverse Mercator grid, zone 10

1927 North American Datum

To place on the predicted North American Datum 1983

move the projection lines 23 meters north and

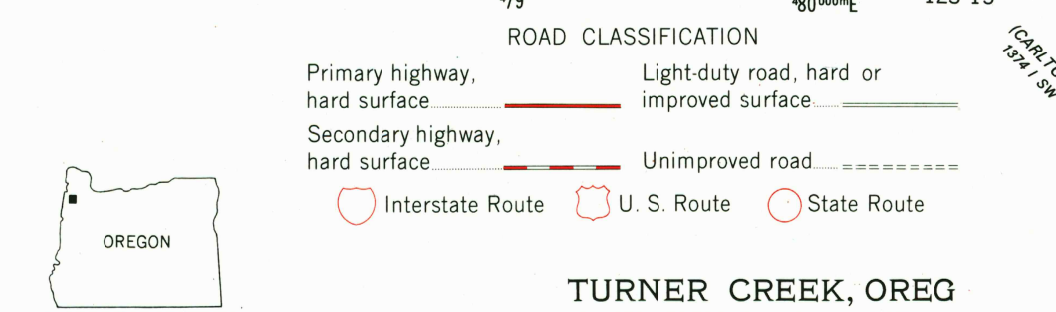
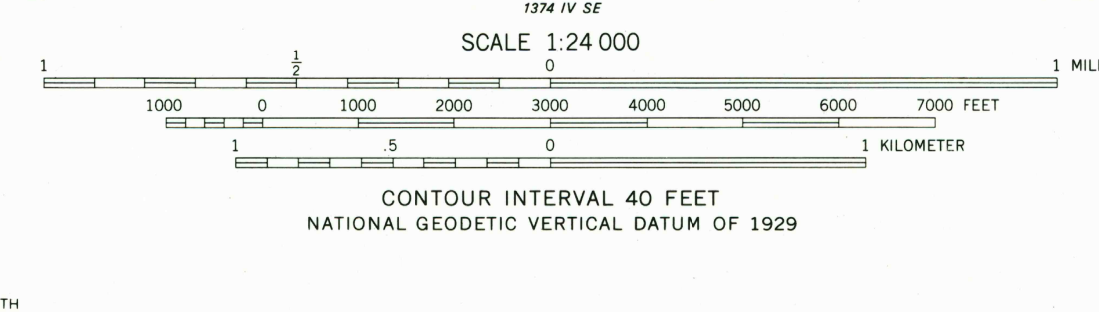
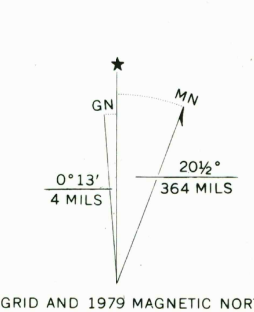
96 meters east as shown by dashed corner ticks

Fine red dashed lines indicate selected fence and field lines where

generally visible on aerial photographs. This information is unchecked

There may be private inholdings within the boundaries of the

National or State reservations shown on this map



TURNER CREEK, OREGON
NE/4 FAIRDALE 15' QUADRANGLE
N4522.5-W12315/7.5

FOR SALE BY U.S. GEOLOGICAL SURVEY, P.O. BOX 25286, DENVER, COLORADO 80225
A FOLDER DESCRIBING TOPOGRAPHIC MAPS AND SYMBOLS IS AVAILABLE ON REQUEST

1979
DMA 1374 IV NE—SERIES V892

RECEIVED
AUG 31 1999
USGS NHD
HISTORICAL MAP ARCHIVES

