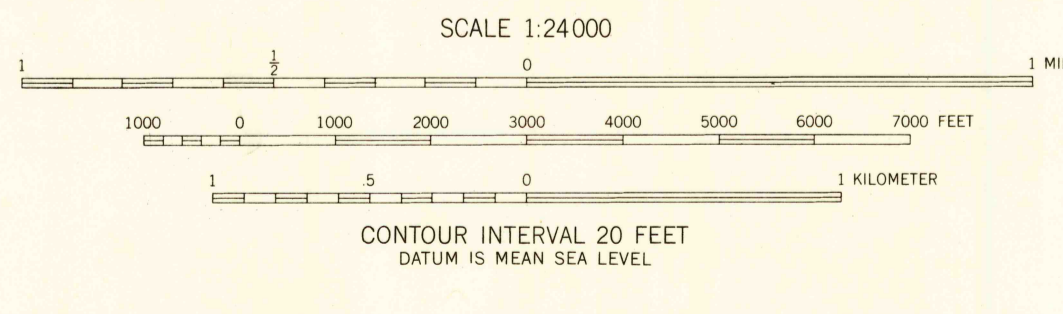


Mapped by the Army Map Service
Published for civil use by the Geological Survey
Control by USGS, USC&GS, USFS, and SCS
Topography from aerial photographs by photogrammetric methods
Aerial photographs taken 1943. Field check 1944
Polyconic projection. 1927 North American datum
10,000-foot grid based on Pennsylvania coordinate system, south zone
1000-meter Universal Transverse Mercator grid ticks,
zone 18, shown in blue



ROAD CLASSIFICATION

Heavy-duty	Light-duty
Medium-duty	Unimproved dirt
U. S. Route	State Route

U.S.G.S.
FILE COPY
TOPOGRAPHIC DIVISION
CALEDONIA PARK, PA.
NW/4 FAIRFIELD 15' QUADRANGLE
N3952.5-W7722.5/7.5
1944

THIS MAP COMPLIES WITH NATIONAL MAP ACCURACY STANDARDS
FOR SALE BY U. S. GEOLOGICAL SURVEY, WASHINGTON 25, D. C.
A FOLDER DESCRIBING TOPOGRAPHIC MAPS AND SYMBOLS IS AVAILABLE ON REQUEST

MAY 26 1960

1490