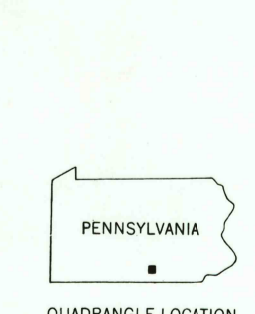
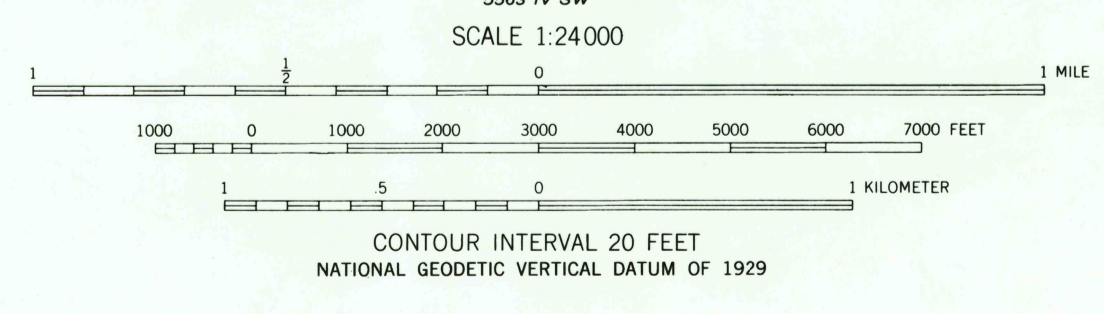
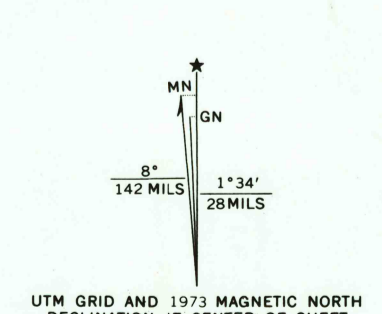


Mapped by the Army Map Service
Published for civil use by the Geological Survey
Control by USGS, USC&GS, USFS, and SCS
Topography from aerial photographs by photogrammetric methods
Aerial photographs taken 1943. Field check 1944
Polyconic projection. 1927 North American datum
10,000-foot grid based on Pennsylvania coordinate system, south zone
1000-meter Universal Transverse Mercator grid ticks,
zone 18, shown in blue
Revisions shown in purple compiled by the Geological Survey in
cooperation with State of Pennsylvania agencies, from aerial
photographs taken 1968 and 1973. This information not field checked
To place on the predicted North American Datum 1983,
move the projection lines 6 meters south and
25 meters west as shown by dashed corner ticks



ROAD CLASSIFICATION
Heavy-duty ——— Light-duty ———
Medium-duty ——— Unimproved dirt ———
U.S. Route (red box) State Route (red circle)
CALEDONIA PARK, PA.
NW/4 FAIRFIELD 15' QUADRANGLE
39077-H4-024
1944
PHOTOREVISED 1968 AND 1973
DMA 5563 IV NW—SERIES V831
PHOTOINSPECTED 1984

THIS MAP COMPLIES WITH NATIONAL MAP ACCURACY STANDARDS
FOR SALE BY U.S. GEOLOGICAL SURVEY
DENVER, COLORADO 80225, OR RESTON, VIRGINIA 22092
A FOLDER DESCRIBING TOPOGRAPHIC MAPS AND SYMBOLS IS AVAILABLE ON REQUEST

USGS NMD HISTORICAL MAP
MAY 31 1988
REC'D FILE COPY