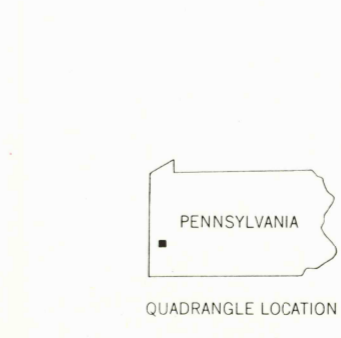
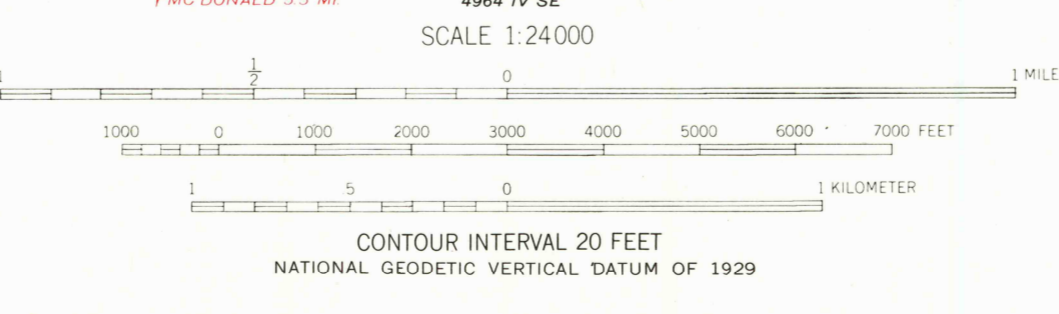
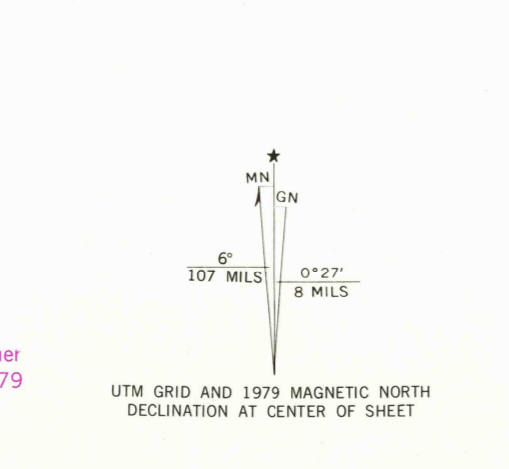


Mapped, edited, and published by the Geological Survey  
Control by USGS and USC&GS  
Topography from aerial photographs by multiplex methods  
Aerial photographs taken 1952. Field check 1954  
Polyconic projection. 1927 North American datum  
10,000-foot grid based on Pennsylvania coordinate system,  
south zone  
1000-meter Universal Transverse Mercator grid ticks, zone 17,  
shown in blue  
Revisions shown in purple compiled in cooperation with State of  
Pennsylvania agencies from aerial photographs taken 1977 and other  
source data. This information not field checked. Map edited 1979  
There may be private inholdings within the boundaries of  
the National or State reservations shown on this map



ROAD CLASSIFICATION  
Heavy-duty ——— Light-duty ———  
Medium-duty ——— Unimproved dirt ———  
U.S. Route ——— State Route ———  
USGS  
Historical File  
Topographic Division  
CLINTON, PA.  
N4022.5—W8015.7/5  
1954  
PHOTOREVISED 1979  
AMS 4964 IV NE—SERIES V831

FEB 26 1980