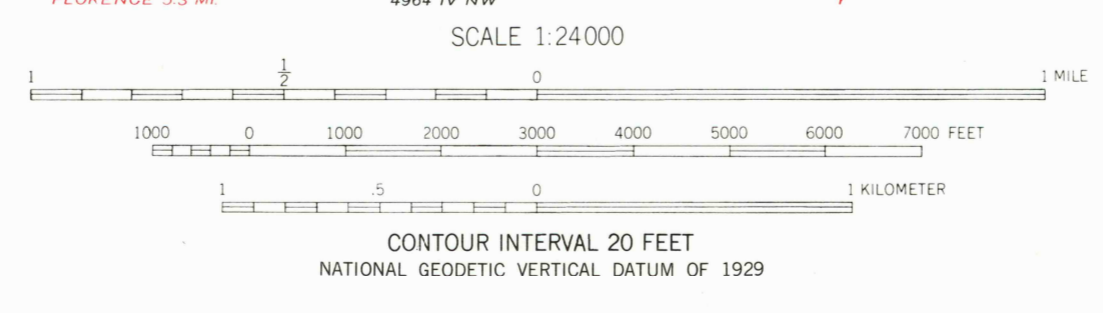
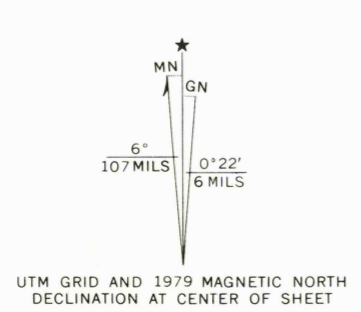
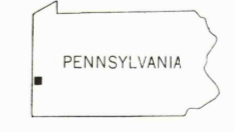




Mapped, edited, and published by the Geological Survey
Control by USGS and USC&GS
Topography from aerial photographs by multiplex methods
Aerial photographs taken 1952. Field check 1954
Polyconic projection. 1927 North American datum
10,000-foot grid based on Pennsylvania coordinate system,
south zone
1000-meter Universal Transverse Mercator grid ticks,
zone 17, shown in blue
To place on the predicted North American Datum 1983
move the projection lines 3 meters south and
17 meters west as shown by dashed corner ticks
There may be private inholdings within the boundaries of
the National or State reservations shown on this map



ROAD CLASSIFICATION	
Heavy-duty	Light-duty
Medium-duty	Unimproved dirt
U.S. Route	State Route



Revisions shown in purple compiled in cooperation with State of Pennsylvania agencies from aerial photographs taken 1977 and other source data. This information not field checked. Map edited 1979

HOOKSTOWN, PA.
N4030-W8022.5/7.5
1954
PHOTOREVISED 1979
AMS 4965 III SW-SERIES V831

MAR 1 1982

3650