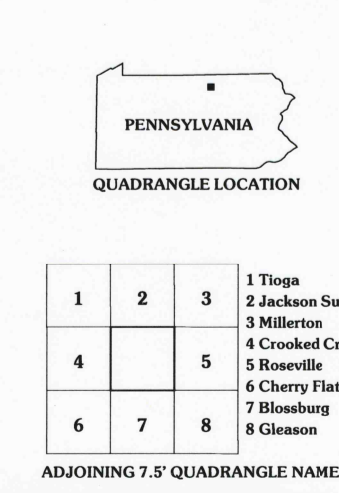
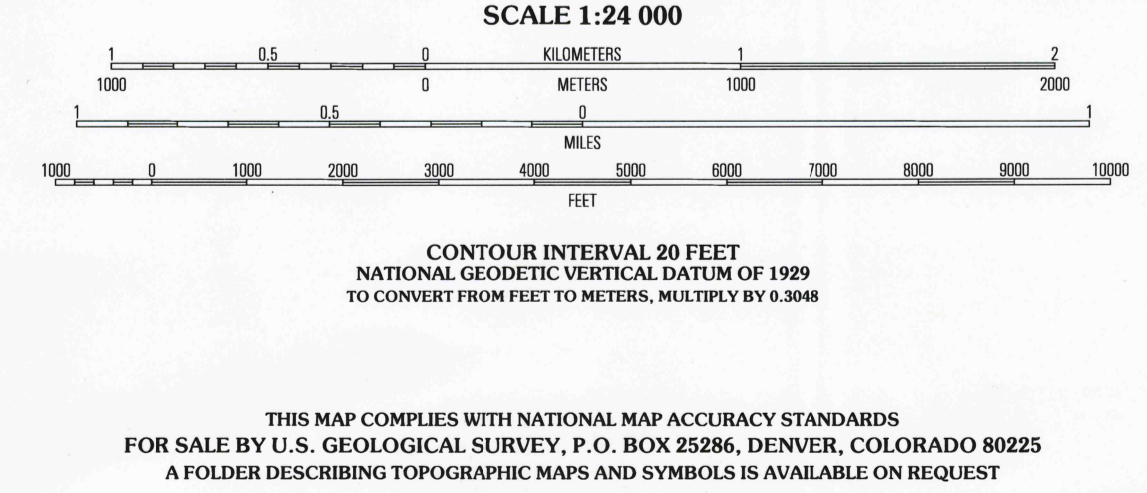
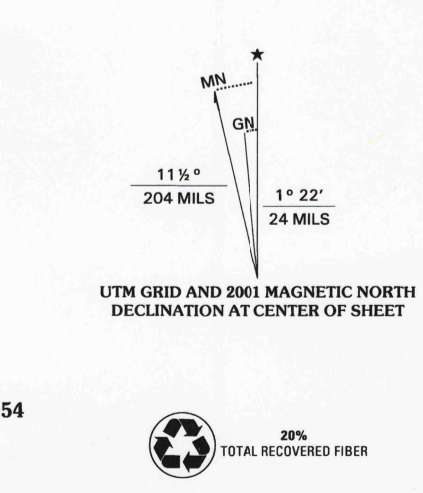


Produced by the United States Geological Survey in cooperation with Pennsylvania Department of Conservation and Natural Resources, Bureau of Topographic and Geologic Survey. Topography compiled 1999. Planimetry derived from imagery taken 1999 and other sources. Survey control current as of 1954. Boundaries current as of 2001. North American Datum of 1983 (NAD 83). Projection and 1 000-meter grid: Universal Transverse Mercator, zone 18. 2 500-meter ticks: Pennsylvania Coordinate System of 1983 (north zone). North American Datum of 1927 (NAD 27) is shown by dashed corner ticks. The values of the shift between NAD 83 and NAD 27 for 7.5-minute intersections are obtainable from National Geodetic Survey NADCON software. There may be private inholdings within the boundaries of the National or State reservations shown on this map. Houses of worship, schools, and other labeled buildings verified 1954.



ROAD CLASSIFICATION

Primary highway	Light-duty road, hard or hard surface
Secondary highway	Improved surface
hard surface	Unimproved road

Interstate Route U.S. Route State Route

1	2	3
4	5	6
7	8	

ADJOINING 7.5' QUADRANGLE NAMES

MANSFIELD, PA 1999 NIMA 5567 1 SE-SERIES V831

RECEIVED AUG 3 1 2001 HISTORICAL MAP ARCHIVES ISBN 0-607-61363-8 9 780607 61362