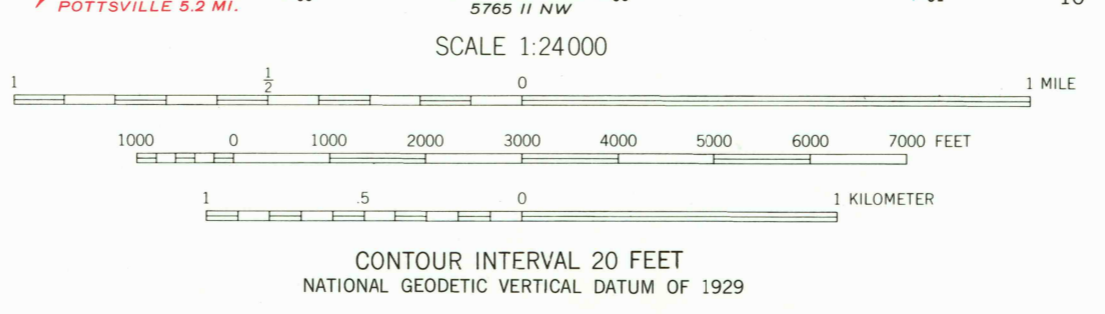
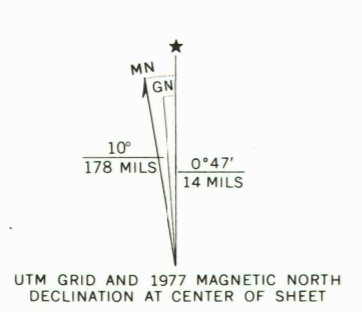




Mapped, edited, and published by the Geological Survey
Control by USGS and USC&GS
Topography from aerial photographs by multiplex methods
Aerial photographs taken 1942. Field check 1946
Culture revised 1955
Polyconic projection. 1927 North American datum
10,000-foot grid based on Pennsylvania coordinate system,
south zone
1000-meter Universal Transverse Mercator grid ticks,
zone 18, shown in blue
Red tint indicates areas in which only landmark buildings
are shown
Revisions shown in purple compiled in cooperation with State of
Pennsylvania agencies from aerial photographs taken 1969 and 1976
This information not field checked. Map edited 1977



ROAD CLASSIFICATION
Heavy-duty ——— Light-duty ———
Medium-duty ——— Unimproved dirt ———
U. S. Route ——— State Route ———
Interstate Route ———

USGS
Historical File
Topographic Division

PENNSYLVANIA
QUADRANGLE LOCATION

SHENANDOAH, PA.
SW/4 MAHANOY 15' QUADRANGLE
N4045—W7607.5/7.5
1955
PHOTOREVISED 1969 AND 1977
AMS 5765 I SW—SERIES V831

JUL 17 1978

2750

THIS MAP COMPLIES WITH NATIONAL MAP ACCURACY STANDARDS
FOR SALE BY U. S. GEOLOGICAL SURVEY, RESTON, VIRGINIA 22092
A FOLDER DESCRIBING TOPOGRAPHIC MAPS AND SYMBOLS IS AVAILABLE ON REQUEST