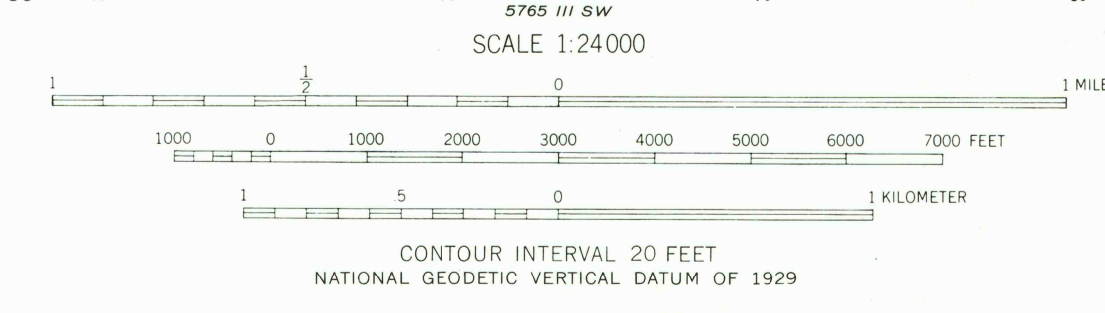
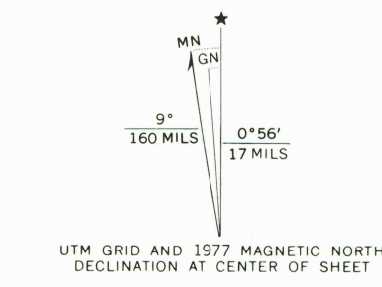




Mapped, edited, and published by the Geological Survey
Control by USGS and USC&GS
Topography from aerial photographs by multiplex methods
Aerial photographs taken 1942. Field check 1944
Culture revised 1954
Polyconic projection. 1927 North American datum
10,000-foot grids based on Pennsylvania coordinate system,
south and north zones
1,000-meter Universal Transverse Mercator grid ticks,
zone 18, shown in blue
Revisions shown in purple compiled in cooperation with
State of Pennsylvania agencies from aerial photographs
taken 1969 and 1977. This information not field checked



ROAD CLASSIFICATION
Heavy-duty ——— Light-duty ———
Medium-duty ——— Unimproved dirt ———
U.S. Route ——— State Route ———
Interstate Route ———
TREMONT, PA.
NW/4 PINE GROVE 15' QUADRANGLE
N4037.5 - W7622.5/7.5
USGS
Historical File
Topographic Division
1954
PHOTOREVISED 1969 AND 1977
AMS 5765 III NW-SERIES V831

MAY 16 1978
2900