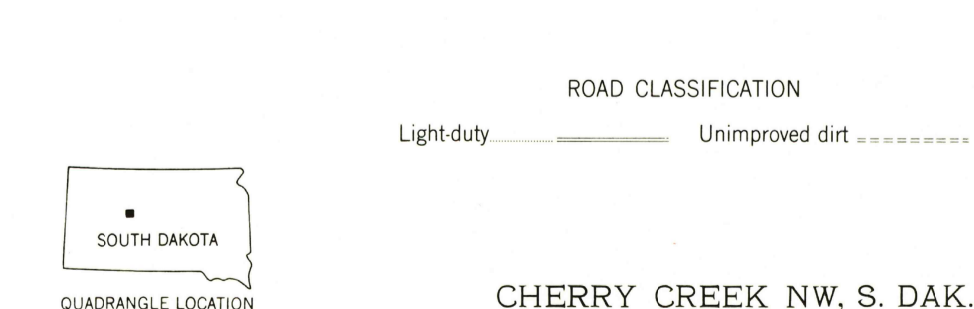
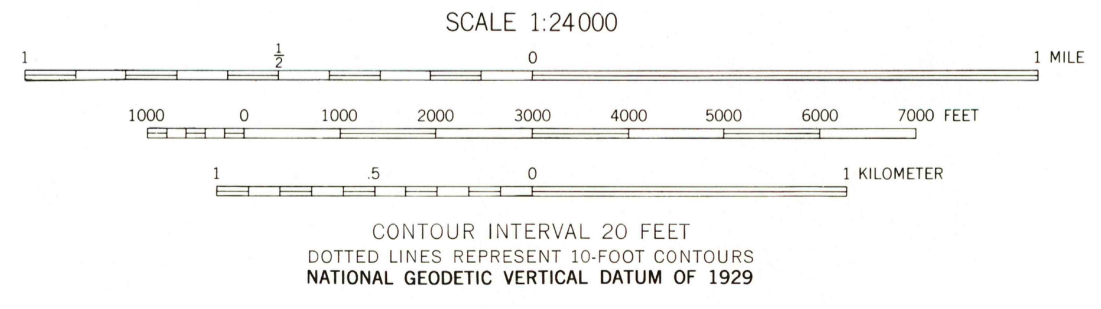
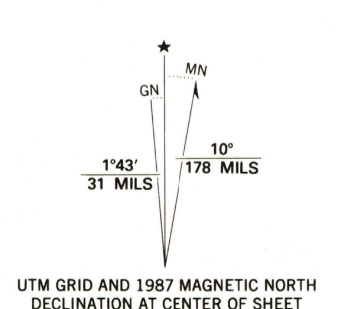




Mapped, edited, and published by the Geological Survey as part of the Department of the Interior program for the development of the Missouri River Basin Control by USGS and NOS/NOAA  
Topography from aerial photographs by multiplex methods Aerial photographs taken 1948. Field check 1956  
Polyconic projection. 1927 North American Datum 10,000-foot grid based on South Dakota coordinate system, north and south zones  
1000-meter Universal Transverse Mercator grid ticks zone 14, shown in blue  
To place on the predicted North American Datum 1983, move the projection lines 6 meters north and 37 meters east as shown by dashed corner ticks  
There may be private inholdings within the boundaries of the National or State reservations shown on this map



THIS MAP COMPLIES WITH NATIONAL MAP ACCURACY STANDARDS  
FOR SALE BY U. S. GEOLOGICAL SURVEY, DENVER, COLORADO 80225, OR RESTON, VIRGINIA 22092  
A FOLDER DESCRIBING TOPOGRAPHIC MAPS AND SYMBOLS IS AVAILABLE ON REQUEST

Revisions shown in purple compiled from aerial photographs taken 1984 and other sources  
This information not field checked. Map edited 1987  
1956  
PHOTOREVISED 1987  
DMA 5773 III NW-SERIES 8873

CHERRY CREEK NW, S. DAK.  
44101-F4-TF-024

