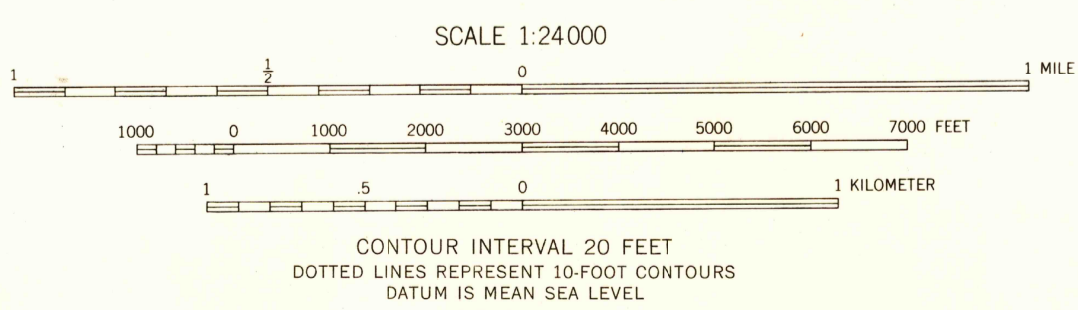
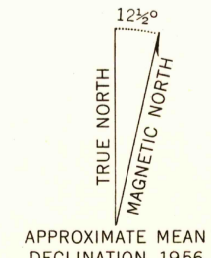




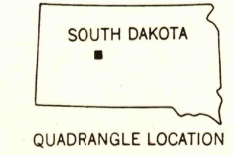
U.S.G.S.  
FILE COPY  
TOPOGRAPHIC DIVISION

U.S.G.S.  
FILE COPY  
TOPOGRAPHIC DIVISION

Mapped, edited, and published by the Geological Survey as part of the Department of the Interior program for the development of the Missouri River Basin Control by USGS and USC&GS  
Topography from aerial photographs by multiplex methods Aerial photographs taken 1948. Field check 1956  
Polyconic projection. 1927 North American datum 10,000-foot grids based on South Dakota coordinate system, south and north zones  
1000-meter Universal Transverse Mercator grid ticks zone 14, shown in blue



USGS  
HISTORICAL FILE  
TOPOGRAPHIC DIVISION



ROAD CLASSIFICATION  
Light-duty ——— Unimproved dirt - - - - -

CHERRY CREEK, S. DAK.  
N4430-W10122.5/7.5

SEP 10 1957  
2090

THIS MAP COMPLIES WITH NATIONAL MAP ACCURACY STANDARDS  
FOR SALE BY U. S. GEOLOGICAL SURVEY, DENVER 2, COLORADO OR WASHINGTON 25, D. C.  
A FOLDER DESCRIBING TOPOGRAPHIC MAPS AND SYMBOLS IS AVAILABLE ON REQUEST

1956