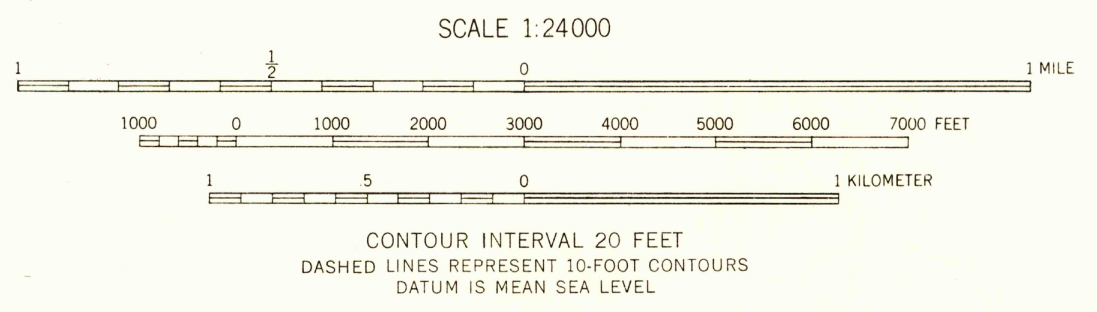
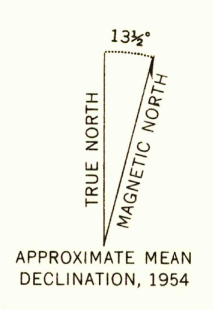




U.S.G.S.
FILE COPY
TOPOGRAPHIC DIVISION

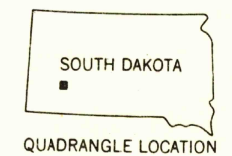
U.S.G.S.
FILE COPY
TOPOGRAPHIC DIVISION

Mapped, edited, and published by the Geological Survey as part of the Department of the Interior program for the development of the Missouri River Basin Control by USGS and USC&GS
Topography from aerial photographs by photogrammetric methods
Aerial photographs taken 1948. Field check 1954
Polyconic projection. 1927 North American datum
10,000-foot grid based on South Dakota coordinate system, south zone



ROAD CLASSIFICATION

Heavy-duty	4 LANE 15 LANE	Light-duty
Medium-duty	4 LANE 15 LANE	Unimproved dirt
U. S. Route		State Route



USGS
HISTORICAL FILE
TOPOGRAPHIC DIVISION
QUINN TABLE, S. DAK.
N 4352.5—W 10222.5/7.5

THIS MAP COMPLIES WITH NATIONAL MAP ACCURACY STANDARDS
FOR SALE BY U. S. GEOLOGICAL SURVEY, FEDERAL CENTER, DENVER, COLORADO OR WASHINGTON 25, D. C.
A FOLDER DESCRIBING TOPOGRAPHIC MAPS AND SYMBOLS IS AVAILABLE ON REQUEST

1954