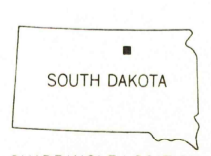
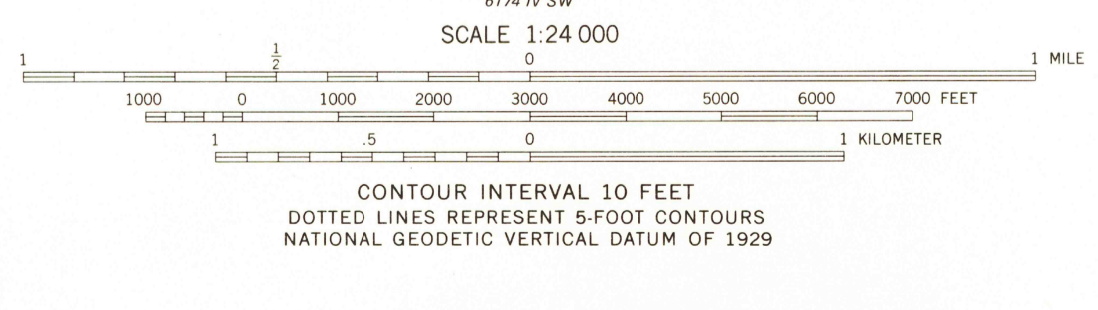
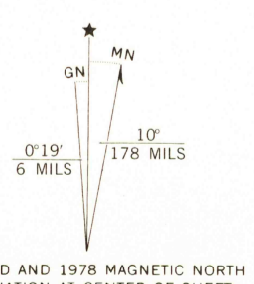


Mapped, edited, and published by the Geological Survey
Control by USGS and NOS/NOAA
Topography by photogrammetric methods from aerial photographs taken 1973. Field checked 1974. Map edited 1978
Projection and 10,000-foot grid ticks: South Dakota coordinate system, north zone (Lambert conformal conic)
1000-meter Universal Transverse Mercator grid, zone 14
1927 North American datum
Fine red dashed lines indicate selected fence and field lines where generally visible on aerial photographs. This information is unchecked



ROAD CLASSIFICATION

Primary highway, hard surface	Light-duty road, hard or improved surface
Secondary highway, hard surface	Unimproved road
Interstate Route	U. S. Route
	State Route

USGS
Historical File
Topographic Division
ROSCOE NW, S. DAK.
N4522.5 - W9922.5/7.5
1978

JAN 16 1979
2074

THIS MAP COMPLIES WITH NATIONAL MAP ACCURACY STANDARDS
FOR SALE BY U. S. GEOLOGICAL SURVEY, DENVER, COLORADO 80225, OR RESTON, VIRGINIA 22092
A FOLDER DESCRIBING TOPOGRAPHIC MAPS AND SYMBOLS IS AVAILABLE ON REQUEST