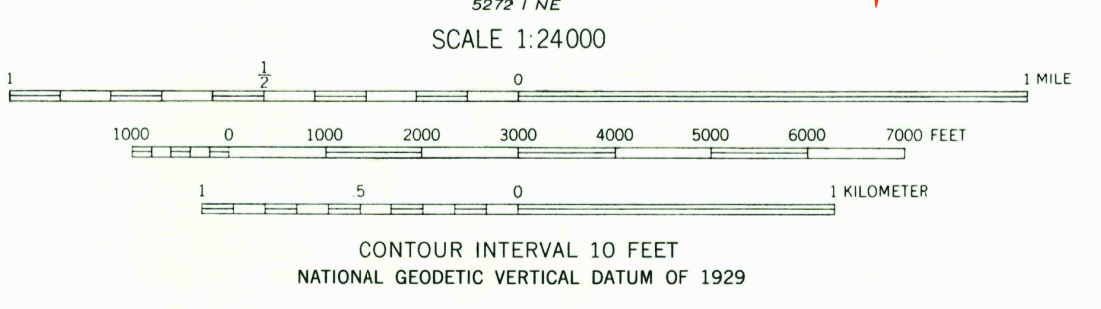
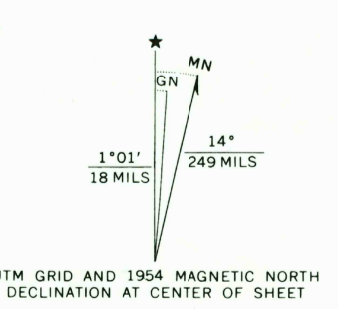
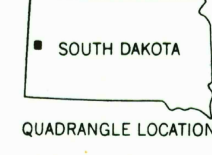


Mapped, edited, and published by the Geological Survey as part of the Department of the Interior program for the development of the Missouri River Basin
Control by USGS and USC&GS
Topography from aerial photographs by photogrammetric methods
Aerial photographs taken 1948. Field check 1954
Polyconic projection. 1927 North American datum
10,000-foot grid based on South Dakota coordinate system, north zone
1000-meter Universal Transverse Mercator grid ticks, zone 13, shown in blue
Map photoinspected 1976
No major culture or drainage changes observed



CONTOUR INTERVAL 10 FEET
NATIONAL GEODETIC VERTICAL DATUM OF 1929



ROAD CLASSIFICATION

Heavy-duty	4 LANE 16 LANE	Light-duty
Medium-duty	4 LANE 16 LANE	Unimproved dirt

U. S. Route State Route

SAINT ONGE SE, S. DAK.
SE/4 SAINT ONGE 15' QUADRANGLE
44103-E5-TF-024

1954
PHOTOINSPECTED 1976
DMA 5273 II SE--SERIES V873

To place on the predicted North American Datum 1983
move the projection lines 6 meters north and
41 meters east as shown by dashed corner ticks

USGS (MID) HISTORICAL MAP
MAY 10 1989
REC'D FILE COPY