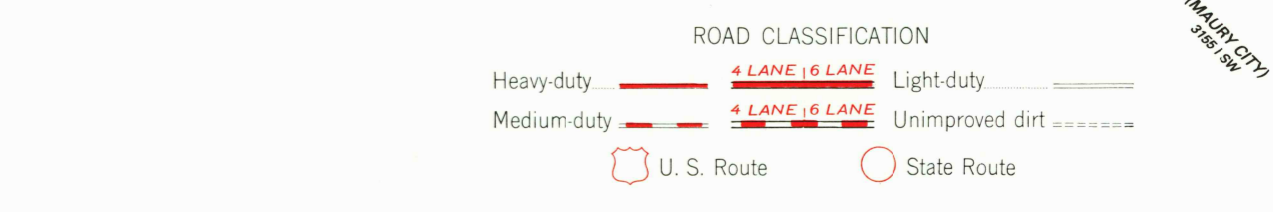
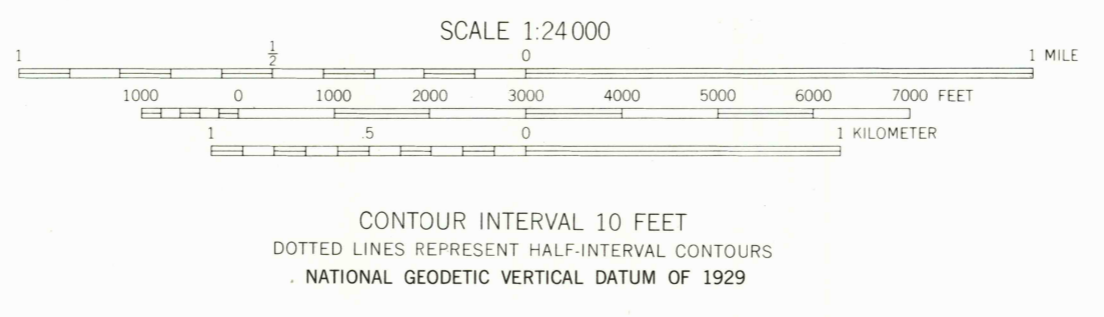
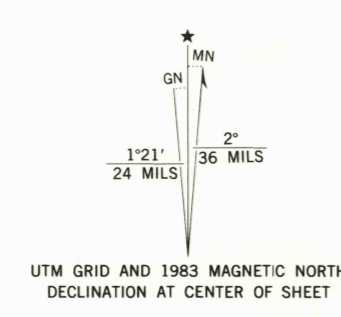


Mapped, edited, and published by the Geological Survey
Control by USGS, NOS/NOAA, and USCE
Planimetry in part by photogrammetric methods from aerial photographs taken 1947. Topography by planetable surveys 1952
Polyconic projection. 10,000-foot grid ticks based on Tennessee coordinate system. 1000-meter Universal Transverse Mercator grid, zone 16. 1927 North American Datum
To place on the predicted North American Datum 1983 move the projection lines 6 meters south and 6 meters east as shown by dashed corner ticks
There may be private inholdings within the boundaries of the National or State reservations shown on this map
Revisions shown in purple or woodland compiled from aerial photographs taken 1981 and other sources
This information not field checked. Map edited 1983



BONICORD, TENN.
NE 1/4 HALLS 15' QUADRANGLE
35089-H3-TF-024
1952
PHOTOREVISED 1983
DMA 3:155 IV NE-SERIES V841

THIS MAP COMPLIES WITH NATIONAL MAP ACCURACY STANDARDS
FOR SALE BY U. S. GEOLOGICAL SURVEY, RESTON, VIRGINIA 22092
AND TENNESSEE DEPARTMENT OF CONSERVATION, DIVISION OF GEOLOGY, NASHVILLE, TENN. 37219
A FOLDER DESCRIBING TOPOGRAPHIC MAPS AND SYMBOLS IS AVAILABLE ON REQUEST

RETURN TO:
USGS AND HISTORICAL MAP ARCHIVES

7-16-84