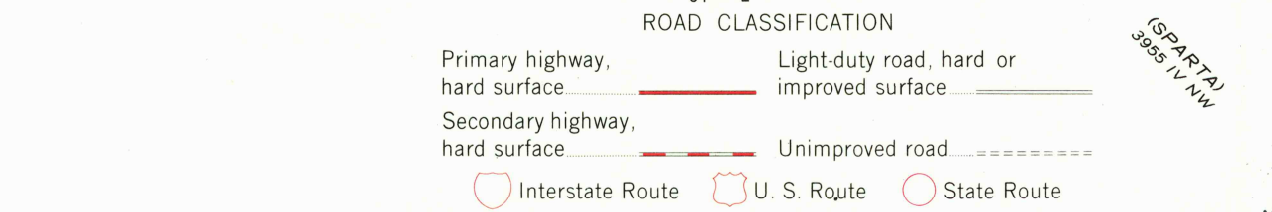
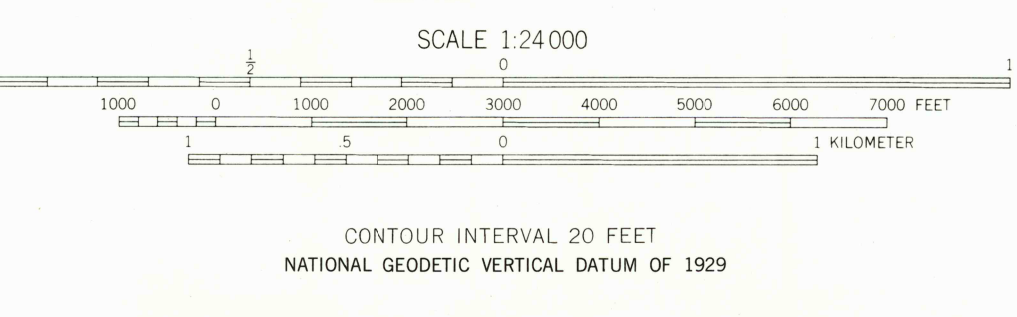


Mapped, edited, and published by the Geological Survey
Control by USGS, NOS/NOAA, and USCE
Topography by photogrammetric methods from aerial
photographs taken 1954. Field checked 1956
Polyconic projection. 10,000-foot grid based
on Tennessee coordinate system
1000-meter Universal Transverse Mercator grid ticks,
zone 16, shown in blue. 1927 North American Datum
To place on the predicted North American Datum 1983
move the projection lines 6 meters south and
3 meters west as shown by dashed corner ticks
Center Hill Lake is subject to controlled
inundation to 685 feet
Unchecked elevations are shown in brown

Revisions shown in purple compiled in cooperation with State of
Tennessee agencies from aerial photographs taken 1975 and other
source data. This information not field checked. Map edited 1980



USGS
Historical File
Topographic Division

BURGESS FALLS, TENN.
N 3600-W 8530/7.5
1956
PHOTOREVISED 1980
DMA 3856 II SE-SERIES V841

DEC 10 1980
1820