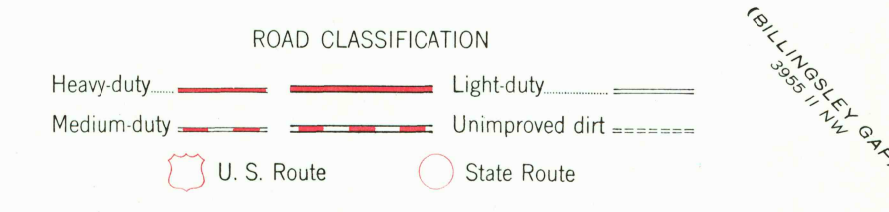
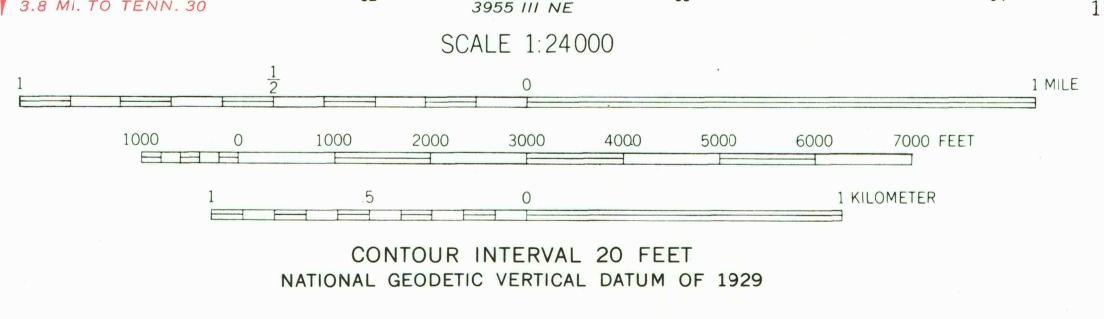
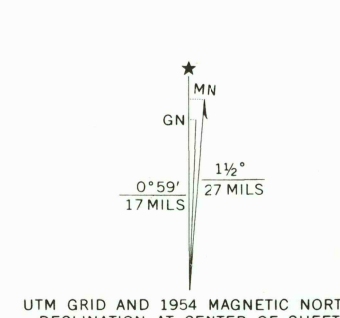




Mapped, edited, and published by the Geological Survey  
Control by USGS, USC&GS, USCE, and TVA  
Topography from aerial photographs by multiplex methods  
Aerial photographs taken 1951. Field check 1954  
Polyconic projection. 1927 North American datum  
10,000-foot grid based on Tennessee coordinate system  
Contours in strip mine areas compiled from 1951 photography  
Unchecked elevations are shown in brown  
1000-meter Universal Transverse Mercator grid ticks,  
zone 16, shown in blue



THIS MAP COMPLIES WITH NATIONAL MAP ACCURACY STANDARDS  
FOR SALE BY U.S. GEOLOGICAL SURVEY, RESTON, VIRGINIA 22092  
AND TENNESSEE DIVISION OF GEOLOGY, NASHVILLE, TENNESSEE 37219  
A FOLDER DESCRIBING TOPOGRAPHIC MAPS AND SYMBOLS IS AVAILABLE ON REQUEST

USGS  
Historical File  
Topographic Division

LONWOOD, TENN. 2300  
N3545-W8515/7.5  
1954  
AMS 3955 IV SE-SERIES V841  
OCT 19 1977