

Produced by the United States Geological Survey 1983
Revision by USDA Forest Service 2003

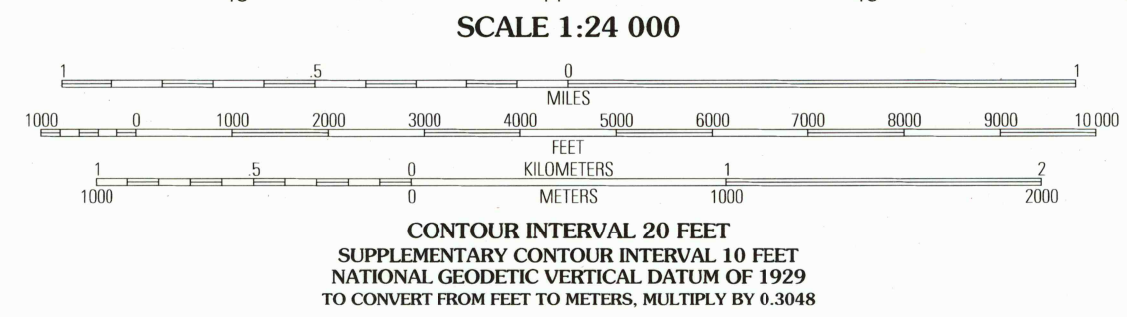
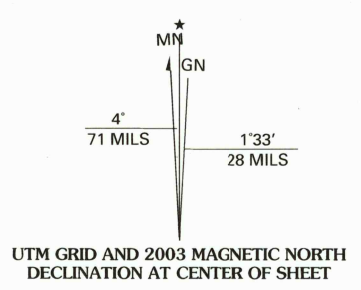
Topography compiled 1946. Planimetry derived from imagery taken 2001 and other sources. Public Land Survey System and projection control current as of 2002. Boundaries current as of 2002.

North American Datum of 1927 (NAD 27). Projection and 10 000-foot ticks: Tennessee coordinate system (Lambert conformal conic). Blue 1000-meter Universal Transverse Mercator ticks, some 16.

North American Datum of 1983 (NAD 83) is shown by dashed corner ticks. The values of the shift between NAD 27 and NAD 83 for 7.5-minute intersections are obtainable from National Geodetic Survey NADCON software.

Non-National Forest System lands within the National Forest. Inholdings may exist in other National or State reservations.

This map is not a legal document. Public lands are subject to change and leasing, and may have access restrictions. Check with appropriate offices. Obtain permission before entering private lands.



QUADRANGLE LOCATION

1	2	3	1 Sweetwater
4	5	4 Englewood	2 Madisonville
6	7	6 Mecca	3 Knoxville
		7 Tellico Plains	4 Englewood
		8 Bald River Falls	5 Rafter

ADJOINING 7.5' QUADRANGLES

HIGHWAYS AND ROADS

Interstate	Primary highway	Secondary highway	Light-duty road
State	Composition: Unspecified	Paved	Dirt
County	Unimproved: 4 wheel drive	Trail	Gate: Barrier

ISBN 0-407-77219-X
9 780607 972191

3 1816 0042021 6

OCT 26 2004 MOUNT VERNON, TN 2003
35084-D3-TF-024
NIMA 4154 IV NE-SERIES V841