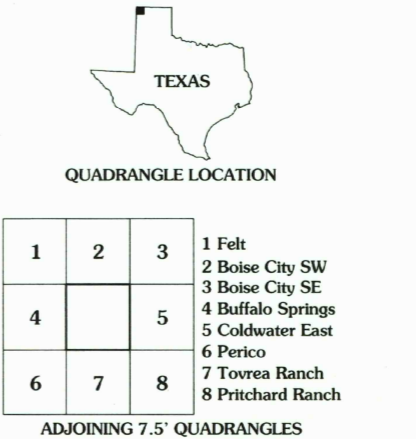
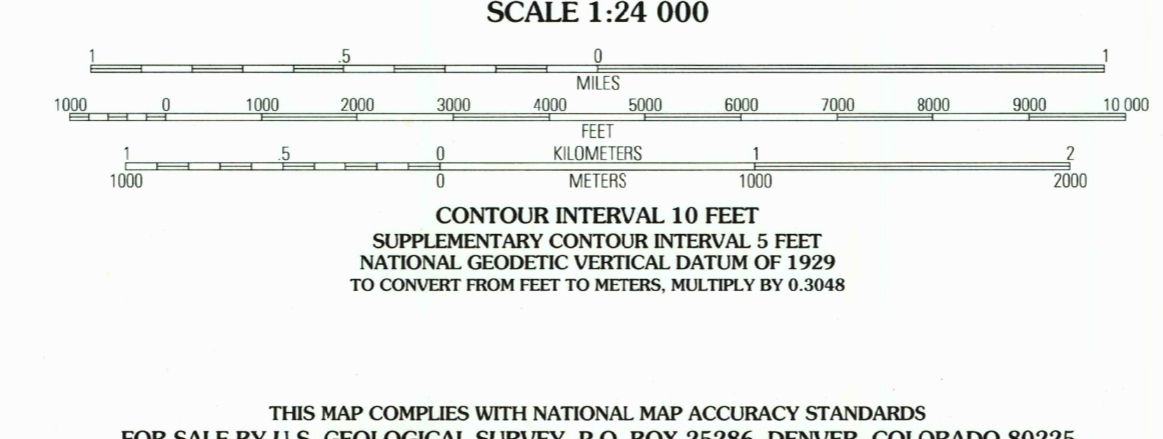
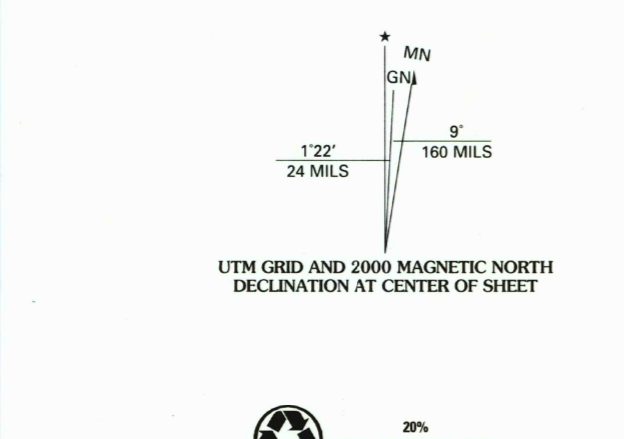


Produced by the United States Geological Survey 1973
Revision by USDA Forest Service 1998
Topography compiled 1971. Planimetry derived from imagery taken 1996 and other sources. Public Land Survey System and survey control current as of 1998.
North American Datum of 1927 (NAD 27). Projection and 10 000-foot ticks. The values of the shift between NAD 27 and NAD 83 for 7.5-minute intersections are obtainable from National Geodetic Survey NADCON software.
Blue 1000-meter Universal Transverse Mercator ticks, zone 13
North American Datum of 1983 (NAD 83) is shown by dashed corner ticks.
Non-National Forest System lands within the National Forest
Inholdings may exist in other National or State reservations
This map is not a legal land line or ownership document. Public lands are subject to change and leasing, and may have access restrictions; check with local offices. Obtain permission before entering private lands



HIGHWAYS AND ROADS

Interstate		Primary highway	
U. S.		Secondary highway	
State		Light-duty road	
County		Composition:	
National Forest, suitable for passenger cars		Paved	
National Forest, suitable for high clearance vehicles		Gravel	
National Forest Trail		Dirt	
		Unimproved; 4 wheel drive	
		Trail	
		Gate; Barrier	

COLDWATER WEST, TX
1998
NIMA 5456 I NW-SERIES V882

RECEIVED
JUN 30 2001
USGS WMLU
HISTORICAL MAP ARCHIVES
ISBN 0-607-47045-4
9 780607 197045 6