

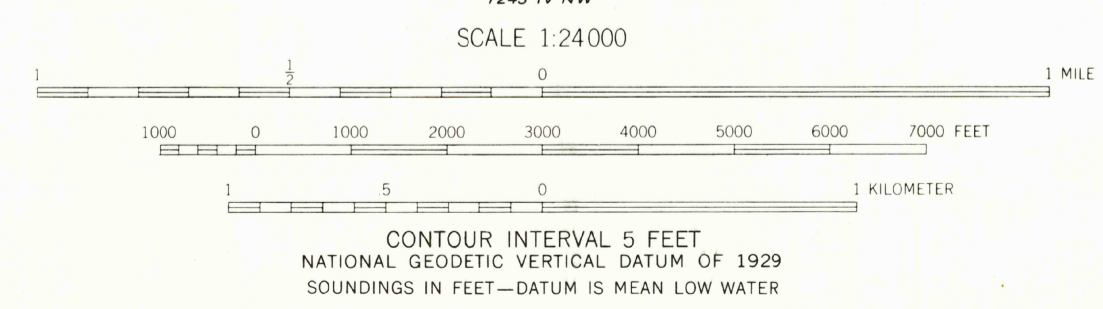
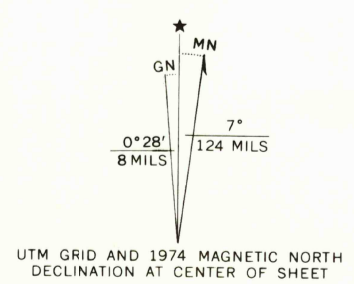
Map by the Army Map Service
Revised, edited, and published by the Geological Survey

Control by USGS and NOS/NOAA

Culture and drainage in part compiled from aerial photographs taken 1942. Topography by planetable surveys by the Geological Survey 1926. Contour revision 1943. Culture revised by the Geological Survey from aerial photographs taken 1956. Field check 1957. Hydrography compiled from USC&GS chart 533 (1955).

Polyconic projection. 1927 North American datum 10,000-foot grids based on Texas coordinate system, central and south central zones. 1000-meter Universal Transverse Mercator grid ticks, zone 15, shown in blue.

Revisions shown in purple compiled from aerial photographs taken 1970 and 1974. This information not field checked.



ROAD CLASSIFICATION

Heavy-duty	Light-duty
Medium-duty	Unimproved dirt
	State Route

USGS
Historical File
Topographic Division

TERRY, TEX.
N3000—W9352.5/7.5

1957
PHOTOREVISED 1970 AND 1974
AMS 7244 III SW—SERIES V882

THIS MAP COMPLIES WITH NATIONAL MAP ACCURACY STANDARDS
FOR SALE BY U.S. GEOLOGICAL SURVEY, DENVER, COLORADO 80225, OR RESTON, VIRGINIA 22092
A FOLDER DESCRIBING TOPOGRAPHIC MAPS AND SYMBOLS IS AVAILABLE ON REQUEST

3093-222

AUG 3 1979

2327