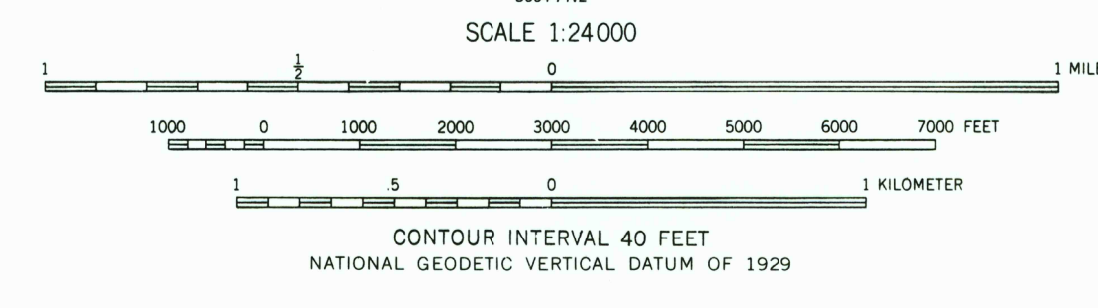
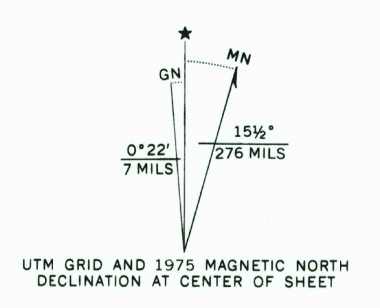


Mapped, edited, and published by the Geological Survey
Control by USGS
Topography from aerial photographs by multiplex methods
Aerial photographs taken 1950. Field check 1955.
Polyconic projection. 1927 North American datum
10,000-foot grids based on Utah coordinate system,
central and north zones
1000-meter Universal Transverse Mercator grid ticks,
zone 12 shown in blue
Dashed land lines indicate approximate locations
Revisions shown in purple compiled from aerial photographs
taken 1975. This information not field checked



ROAD CLASSIFICATION

- Medium-duty
- Light-duty
- Unimproved dirt
- State Route

QUADRANGLE LOCATION

UTAH

USGS AND HISTORICAL MAP ARCHIVES
MAY 04 1994
REC'D FILE COPY

CONTOUR INTERVAL 40 FEET
NATIONAL GEODETIC VERTICAL DATUM OF 1929

THIS MAP COMPLIES WITH NATIONAL MAP ACCURACY STANDARDS
FOR SALE BY U. S. GEOLOGICAL SURVEY, DENVER, COLORADO 80225, OR RESTON, VIRGINIA 22092
A FOLDER DESCRIBING TOPOGRAPHIC MAPS AND SYMBOLS IS AVAILABLE ON REQUEST

BRIGHTON, UTAH
N4030-W11130/7.5
1955
PHOTOREVISED 1975
AMS 3665 II SE—SERIES V897