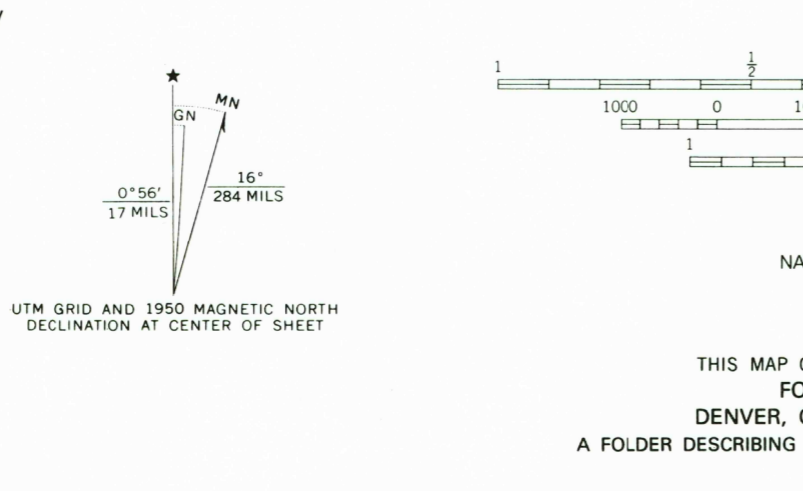




Mapped, edited, and published by the Geological Survey
Control by USGS and NOS/NOAA
Topography from aerial photographs by multiplex methods
Aerial photographs taken 1949. Field checked 1950
Polyconic projection. 1927 North American Datum
10,000-foot grid based on Utah coordinate system,
central zone
1000-meter Universal Transverse Mercator grid ticks, zone 12,
shown in blue
The difference between 1927 North American Datum and North
American Datum of 1983 (NAD 83) for 7.5 minute intersections is
given in USGS Bulletin 1875. The NAD 83 is shown by dashed
corner ticks
Where omitted, land lines have not been established
There may be private inholdings within the boundaries of
the National or State reservations shown on this map



THIS MAP COMPLIES WITH NATIONAL MAP ACCURACY STANDARDS
FOR SALE BY U. S. GEOLOGICAL SURVEY
DENVER, COLORADO 80225, OR RESTON, VIRGINIA 22092
A FOLDER DESCRIBING TOPOGRAPHIC MAPS AND SYMBOLS IS AVAILABLE ON REQUEST

ROAD CLASSIFICATION
Heavy-duty ——— 4 LANE 16 LANE Light-duty ———
Medium-duty ——— 4 LANE 16 LANE Unimproved dirt - - - - -
U. S. Route ○ State Route ○

UTAH
QUADRANGLE LOCATION

DYER MOUNTAIN, UTAH
40109-F5-TF-024
1950
PHOTOINSPECTED 1978
DMA 4065 II NE-SERIES V897

Map photoinspected 1978
No major culture or drainage changes observed

USGS NHD HISTORICAL MAP
JUN 26 1991
REC'D FILE COPY