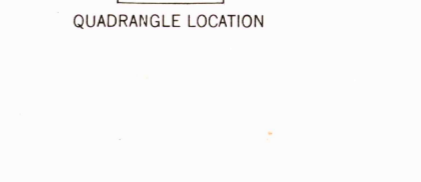
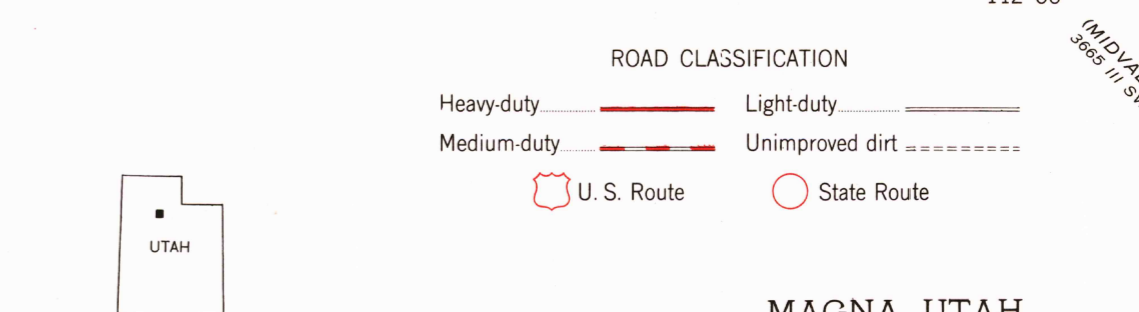
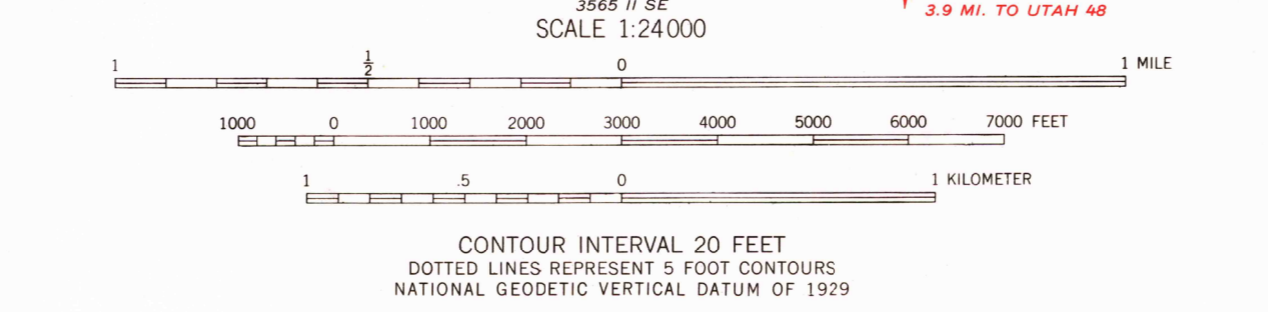
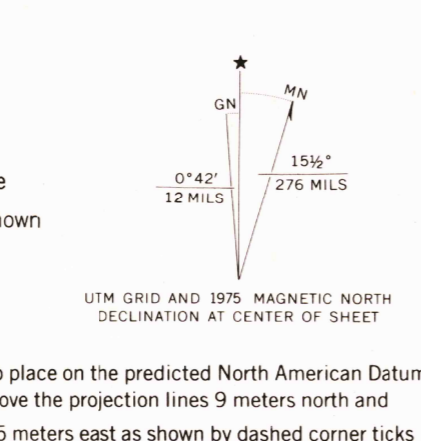


Mapped, edited, and published by the Geological Survey

Control by USGS and NOS/NOAA
Topography from aerial photographs by Kesh plotter methods and by plane-table surveys 1922-24
Aerial photographs taken 1950. Field check 1952
Polyconic projection. 1927 North American Datum
10,000-foot grid based on Utah coordinate system, central zone
Red tint indicates areas in which only landmark buildings are shown
Dashed land lines indicate approximate locations
1000-meter Universal Transverse Mercator grid ticks, zone 12, shown in blue
Revisions shown in purple compiled from aerial photographs taken 1969 and 1975. This information not field checked
Purple tint indicates extension of urban areas



MAGNA, UTAH
40112-F1-TF-024

1952
PHOTOREVISED 1969 AND 1975
DMA 3565 II NE-SERIES V887



THIS MAP COMPLIES WITH NATIONAL MAP ACCURACY STANDARDS
FOR SALE BY U.S. GEOLOGICAL SURVEY, DENVER, COLORADO 80225, OR RESTON, VIRGINIA 22092
A FOLDER DESCRIBING TOPOGRAPHIC MAPS AND SYMBOLS IS AVAILABLE ON REQUEST

To place on the predicted North American Datum 1983
move the projection lines 9 meters north and
65 meters east as shown by dashed corner ticks