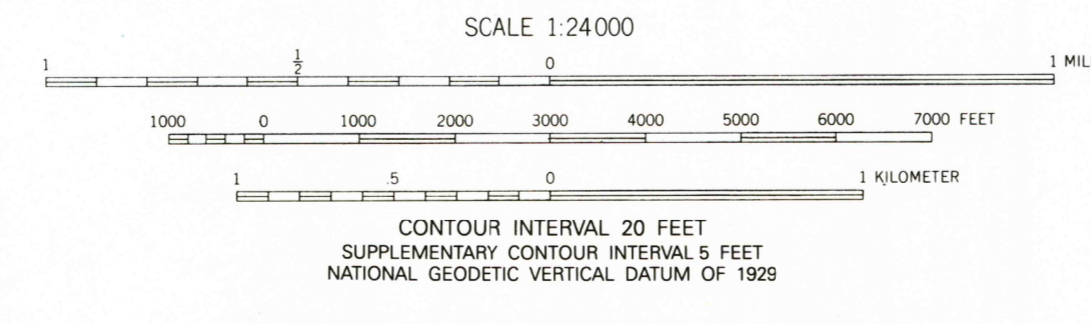
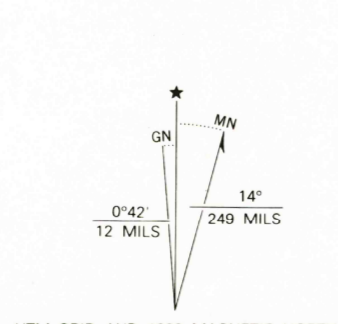




Produced by the United States Geological Survey in cooperation with the Army Corps of Engineers Control by USGS and NOS/NOAA
Compiled from aerial photographs taken 1954. Revised from aerial photographs taken 1986. Field checked 1987. Map edited 1992
North American Datum of 1927 (NAD 27). Projection and 10 000-foot grid ticks: Utah Coordinate System, north zone (Lambert Conformal Conic). 1000-meter Universal Transverse Mercator grid, zone 12
The difference between NAD 27 and North American Datum of 1983 (NAD 83) for 7.5 minute sections is given in USGS Bulletin 1875. The NAD 83 is shown by dashed corner ticks
There may be private inholdings within the boundaries of the National or State reservations shown on this map
Red tint indicates areas in which only landmark buildings are shown
Great Salt Lake historic high water elevation from 1873, 1886, and 1987 is shown by dashed blue line at 4214 feet
Areas above below 4211 feet were not field checked in 1987



ROAD CLASSIFICATION

Primary highway, hard surface	Light-duty road, hard or improved surface
Secondary highway, hard surface	Unimproved road
Interstate Route	U. S. Route
	State Route



PLAIN CITY, UTAH
41112-C1-7F-024

1992
DMA 3566 I SE-SERIES V897



THIS MAP COMPLIES WITH NATIONAL MAP ACCURACY STANDARDS
FOR SALE BY U. S. GEOLOGICAL SURVEY, DENVER, COLORADO 80225, OR RESTON, VIRGINIA 22092
A FOLDER DESCRIBING TOPOGRAPHIC MAPS AND SYMBOLS IS AVAILABLE ON REQUEST