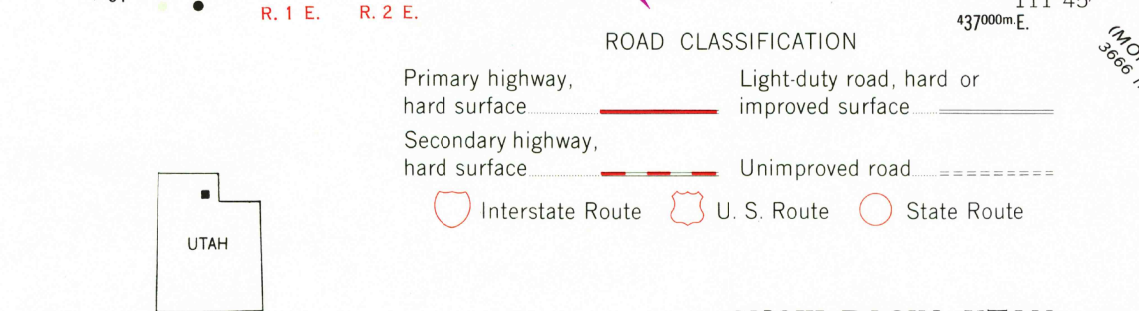
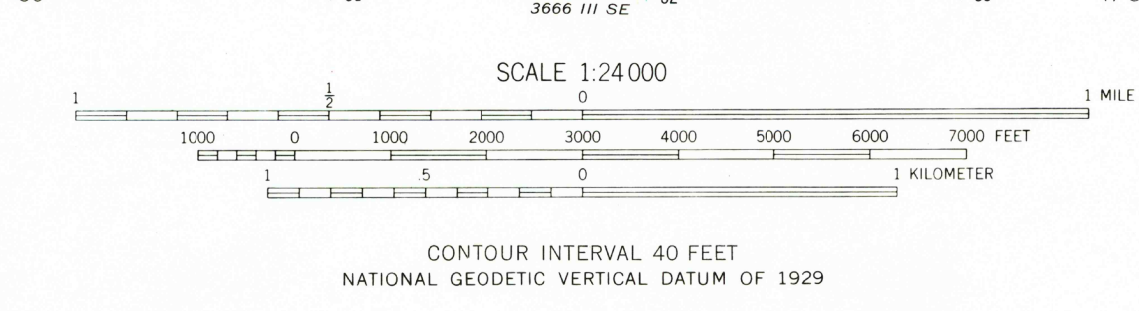
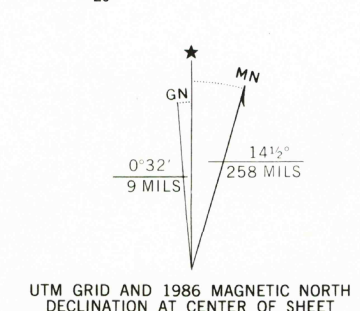




USGS (U.S. GEOLOGICAL SURVEY) HISTORICAL MAP
NOV 23 1986
REC'D FILE COPY

Mapped, edited, and published by the Geological Survey
Control by USGS and USBR
Topography from aerial photographs by multiplex methods and from planetable surveys 1926. Aerial photographs taken 1953 and 1954. Field check 1955
Polyconic projection. 1927 North American Datum
10,000-foot grid based on Utah coordinate system, north zone
Dashed land lines indicate approximate locations
1000-meter Universal Transverse Mercator grid ticks, zone 12, shown in blue
To place on the predicted North American Datum 1983 move the projection lines 10 meters north and 65 meters east as shown by dashed corner ticks
There may be private inholdings within the boundaries of the National or State reservations shown on this map



Revisions shown in purple and woodblock compiled from aerial photographs taken 1981 and other source data. This information not field checked. Map edited 1986

THIS MAP COMPLIES WITH NATIONAL MAP ACCURACY STANDARDS
FOR SALE BY U. S. GEOLOGICAL SURVEY, DENVER, COLORADO 80225, OR RESTON, VIRGINIA 22092
A FOLDER DESCRIBING TOPOGRAPHIC MAPS AND SYMBOLS IS AVAILABLE ON REQUEST

SNOW BASIN, UTAH
41111-B7-TF-024
1955
PHOTOREVISED 1986
DMA 3666 III NE-SERIES V897