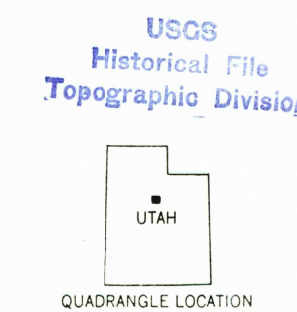
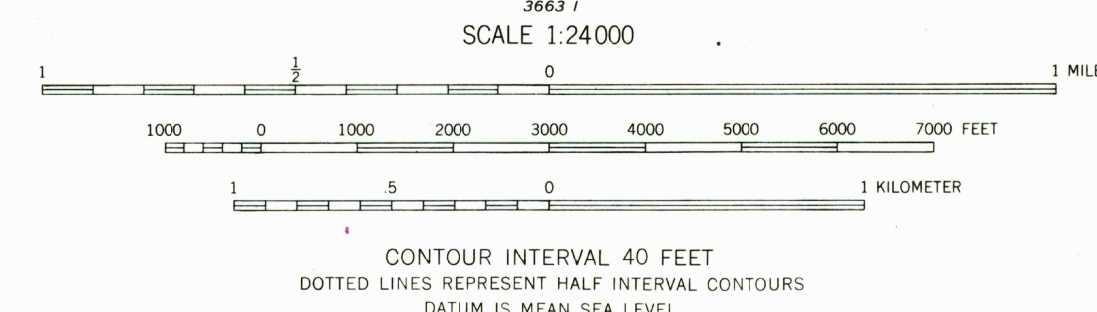
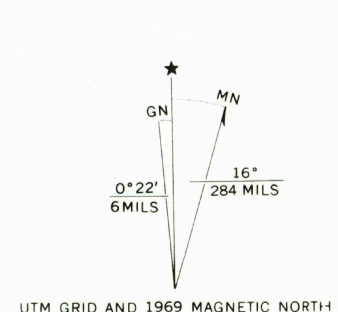


Mapped, edited, and published by the Geological Survey
Control by USGS and USC&GS
Topography from aerial photographs by multiplex methods,
and by plane-table surveys 1949
Aerial photographs taken 1946
Polyconic projection. 1927 North American datum
10,000-foot grid based on Utah coordinate system,
central zone
1000-meter Universal Transverse Mercator grid ticks,
zone 12, shown in blue
Revisions shown in purple compiled from aerial photographs
taken 1969. This information not field checked



ROAD CLASSIFICATION
Heavy-duty Light-duty
Medium-duty Unimproved dirt
U.S. Route State Route

SPANISH FORK PEAK, UTAH
SE/4 PROVO 15' QUADRANGLE
NAD00-W1130/7.5

1949
PHOTOREVISED 1969
AMS 3664 II SE-SERIES V897

CONTOUR INTERVAL 40 FEET
DOTTED LINES REPRESENT HALF INTERVAL CONTOURS
DATUM IS MEAN SEA LEVEL
THIS MAP COMPLIES WITH NATIONAL MAP ACCURACY STANDARDS
FOR SALE BY U.S. GEOLOGICAL SURVEY, DENVER, COLORADO 80225, OR WASHINGTON, D. C. 20242
A FOLDER DESCRIBING TOPOGRAPHIC MAPS AND SYMBOLS IS AVAILABLE ON REQUEST

USGS
FILE COPY
TOPOGRAPHIC DIVISION

3245
JAN 26 1971