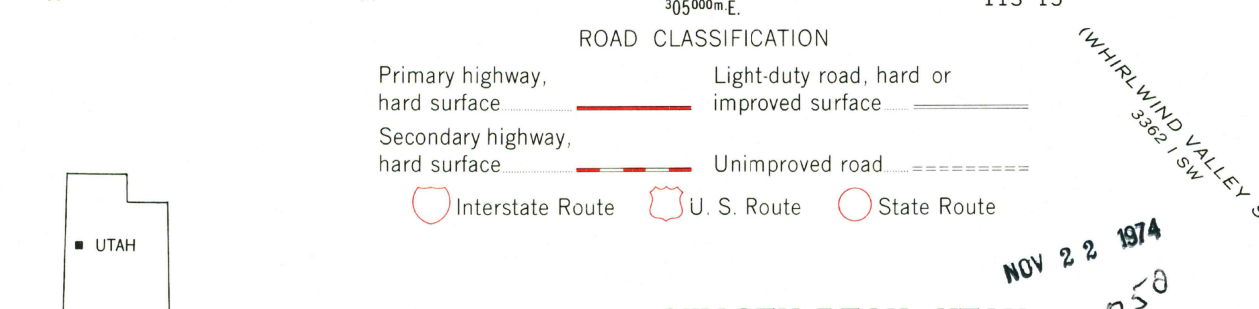
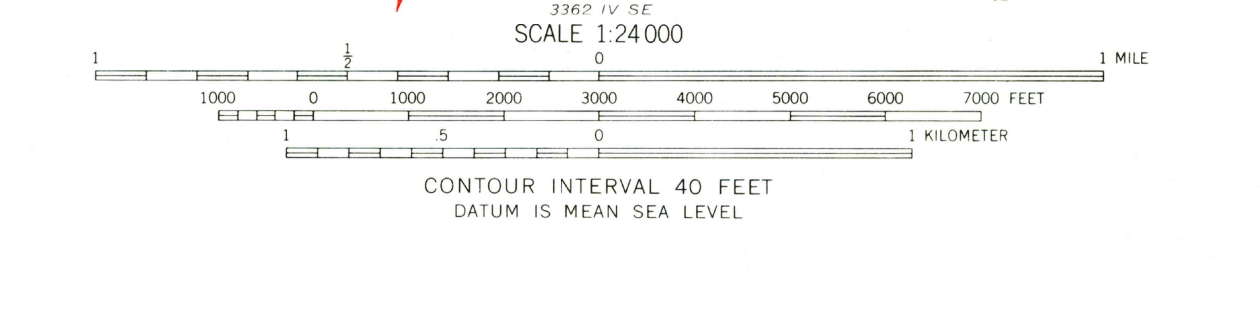
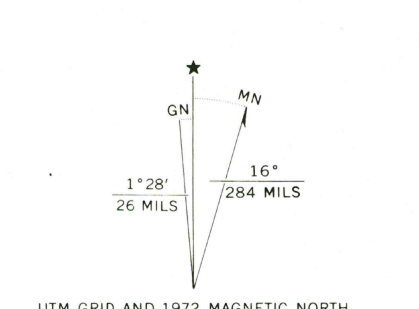


Mapped, edited, and published by the Geological Survey
Control by USGS and USC&GS
Topography by photogrammetric methods from aerial
photographs taken 1971. Field checked 1972
Projection and 10,000-foot grid ticks: Utah coordinate
system, central zone (Lambert conformal conic)
1000-meter Universal Transverse Mercator grid ticks,
zone 12, shown in blue. 1927 North American datum
Where omitted, land lines have not been established



THIS MAP COMPLIES WITH NATIONAL MAP ACCURACY STANDARDS
FOR SALE BY U.S. GEOLOGICAL SURVEY, DENVER, COLORADO 80225, OR RESTON, VIRGINIA 22092
A FOLDER DESCRIBING TOPOGRAPHIC MAPS AND SYMBOLS IS AVAILABLE ON REQUEST

USGS
Historical File
Topographic Division
SWASEY PEAK, UTAH
N3922.5—W11315.5
1972
AMS 3362 IV NE—SERIES V897

NOV 22 1974
3750