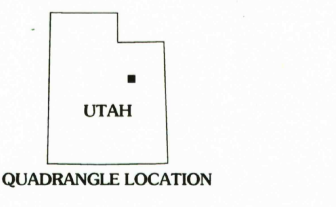
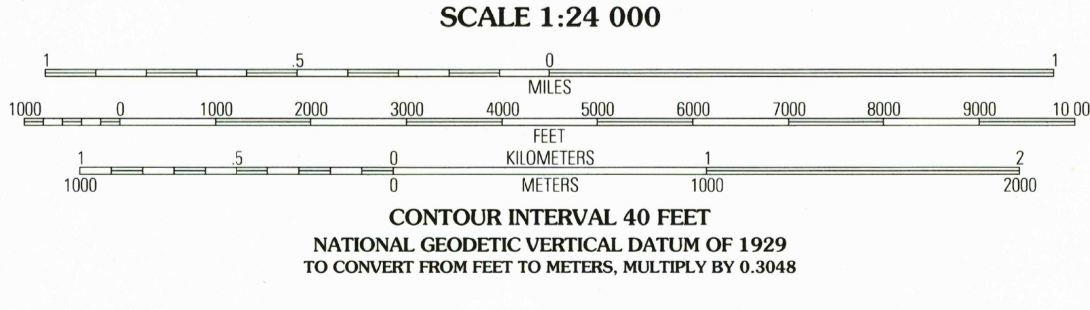
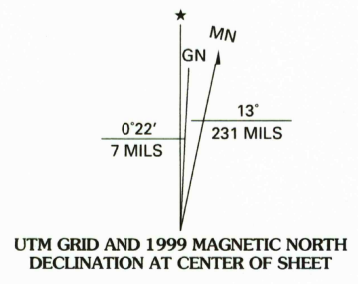


Produced by the United States Geological Survey 1968
Revision within and adjacent to National Forest System lands
by USDA Forest Service 1996
Topography compiled 1965. Planimetry derived from imagery taken 1993
and other sources. Public Land Survey System and survey control current
as of 1996
North American Datum of 1927 (NAD 27). Projection and 10 000-foot ticks:
Utah coordinate system, central zone (Lambert conformal conic)
Blue 1000-meter Universal Transverse Mercator ticks, zone 12
North American Datum of 1983 (NAD 83) is shown by dashed corner ticks
The values of the shift between NAD 27 and NAD 83 for 7.5-minute
intersections are obtainable from National Geodetic Survey NADCON software
Non-National Forest System lands within the National Forest
Inholdings may exist in other National or State reservations
This map is not a legal land line or ownership document. Public lands are
subject to change and leasing, and may have access restrictions; check
with local offices. Obtain permission before entering private lands



1	2	3	1 Lance Canyon
			2 Anthro Mountain
			3 Anthro Mountain NE
4	5	4 Minnie Maud Creek East	
			5 Current Canyon
			6 Pine Canyon
			7 Mount Bartles
6	7	8 Bruin Point	

ADJOINING 7.5' QUADRANGLES

HIGHWAYS AND ROADS

- Interstate:
- U.S. Highway:
- State Highway:
- County Highway:
- National Forest, suitable for passenger cars:
- National Forest, suitable for high clearance vehicles:
- National Forest Trail:

COMPOSITION

- Primary highway:
- Secondary highway:
- Light-duty road:
- Unspecified:
- Paved:
- Gravel:
- Dirt:
- Unimproved; 4 wheel drive:
- Trail:
- Gate; Barrier:

WOOD CANYON, UT
1996
NIMA 3963 IV SW - SERIES V897

RECEIVED
MAR 31 2000
9 780607 933345

