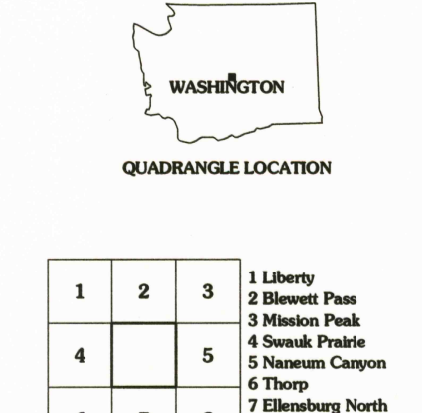
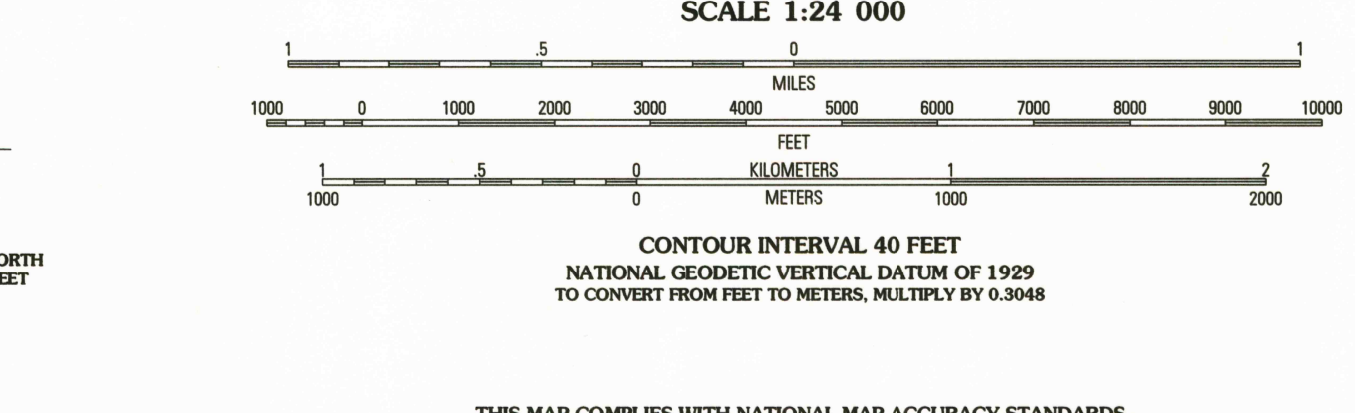
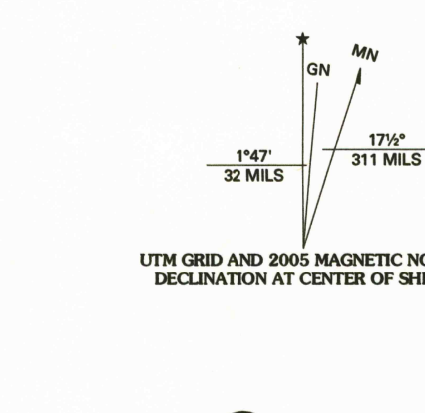


120°37'30" 81 82 83 84 85 86 87 497 500 METERS 32'30" R 18 E R 19 E 47°07'30" 47°15' 47°23' 47°30' 47°36' 47°42' 47°48' 47°54' 47°00' 47°06' 47°12' 47°18' 47°24' 47°30' 47°36' 47°42' 47°48' 47°54' 200 000 METERS

Produced by the United States Geological Survey 1985 Revision by USDA Forest Service 2003 Topography compiled 1956. Planimetry derived from imagery taken 1998 and other sources. Public Land Survey System and survey control current as of 2003. Boundaries current as of 2003. North American Datum of 1983 (NAD 83). Projection and 1 000-meter grid: Universal Transverse Mercator, zone 10 2 500-meter ticks: Washington Coordinate System (south zone) North American Datum of 1927 (NAD 27) is shown by dashed corner ticks The values of the shift between NAD 83 and NAD 27 for 7.5-minute intersections are obtainable from National Geographic Survey NADCON software Non-National Forest System lands within the National Forest Inholdings may exist in other National or State reservations This map is not a legal document. Public lands are subject to change and leasing, and may have access restrictions; check with appropriate offices Obtain permission before entering private lands



Legend table with symbols for roads, trails, and other features. Includes a table for road types: Interstate, U.S., State, National Forest, National Forest suitable for passenger cars, National Forest suitable for high clearance vehicles, National Forest Trail.

USGS Library Reston, VA. Topo Archive ISBN 0-607-95500-7 9 780607 955002 3 1818 00509764 5