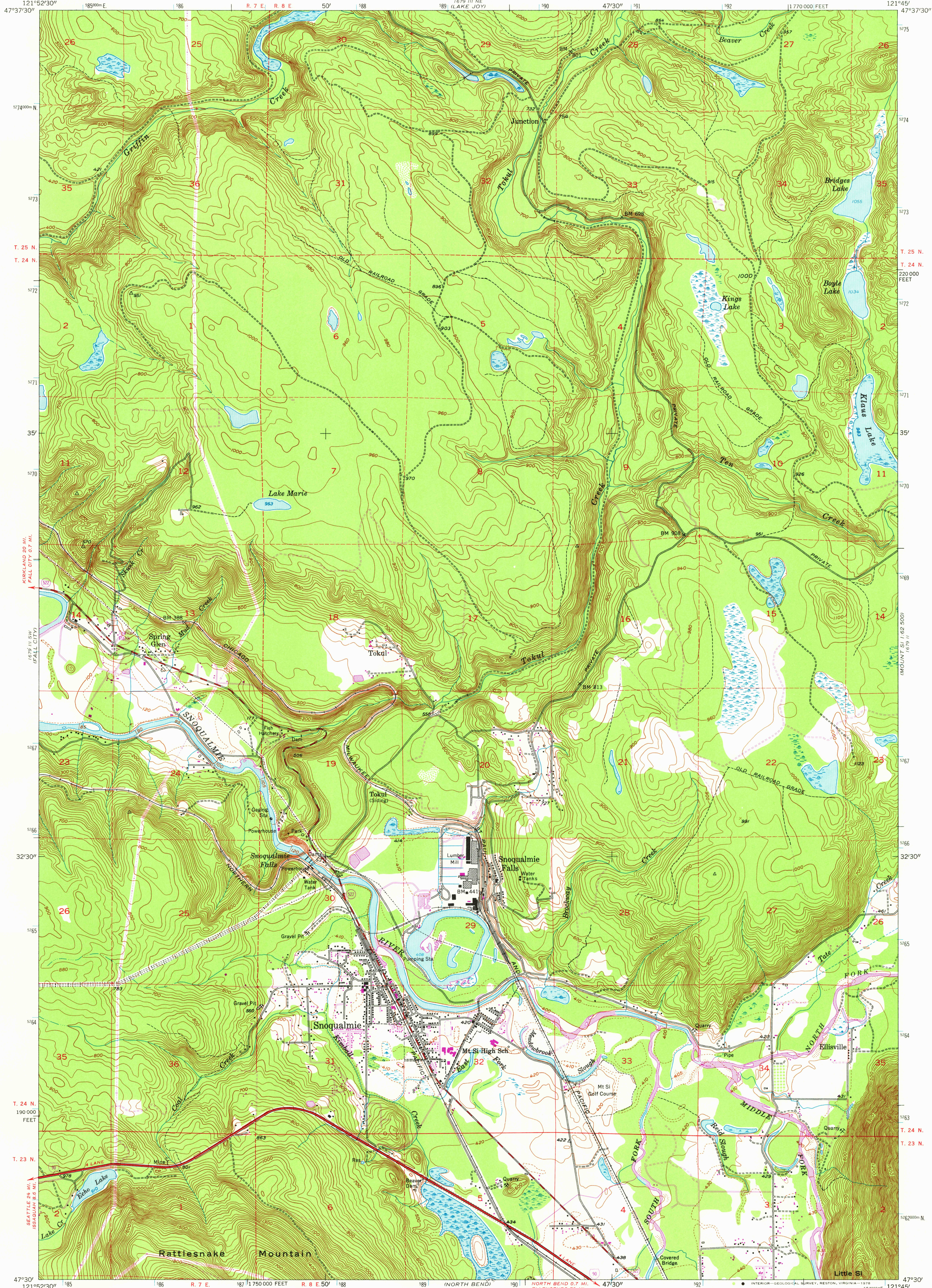


1679 III NW
(CARRIATION)

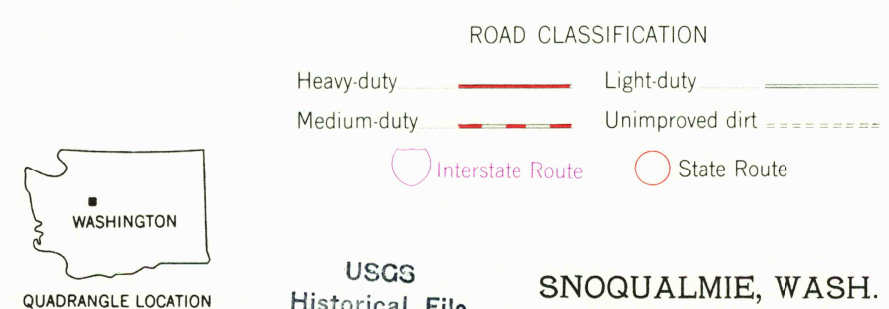
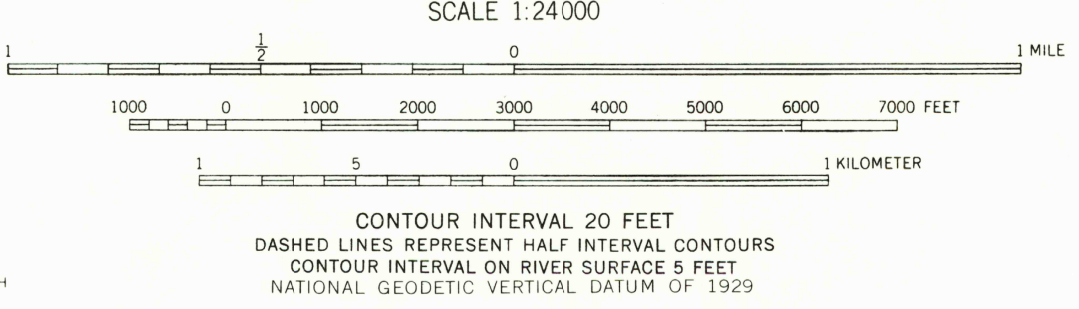
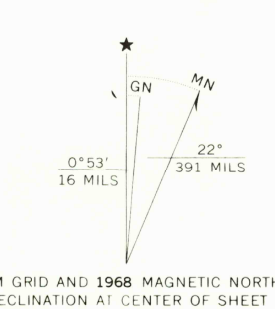
UNITED STATES
DEPARTMENT OF THE INTERIOR
GEOLOGICAL SURVEY

SNOQUALMIE QUADRANGLE
WASHINGTON—KING CO.
7.5 MINUTE SERIES (TOPOGRAPHIC)

1679 III SE
(MOUNTAIN)



Mapped, edited, and published by the Geological Survey
Control by USGS and USC&GS
Topography from aerial photographs by multiplex methods
and by plane-table surveys 1953. Aerial photographs taken 1952
Polyconic projection. 1927 North American datum
10,000-foot grid based on Washington coordinate system, north zone
Dashed land lines indicate approximate locations
1000-meter Universal Transverse Mercator grid ticks,
zone 10, shown in blue
Revisions shown in purple compiled from aerial photographs
taken 1968. This information not field checked



FOR SALE BY U. S. GEOLOGICAL SURVEY, DENVER, COLORADO 80225, OR RESTON, VIRGINIA 22092
A FOLDER DESCRIBING TOPOGRAPHIC MAPS AND SYMBOLS IS AVAILABLE ON REQUEST

USGS
Historical File
Topographic Division
SNOQUALMIE, WASH.
N 4730—W 12145/7.5
1953
PHOTOGRAPHED 1968
AMS 1679 III SE—SERIES V891

AUG 22 1978

2900